

# MATRIX Frameless Tub Shower Enclosure

## XT-60T-38, XT-66T-38



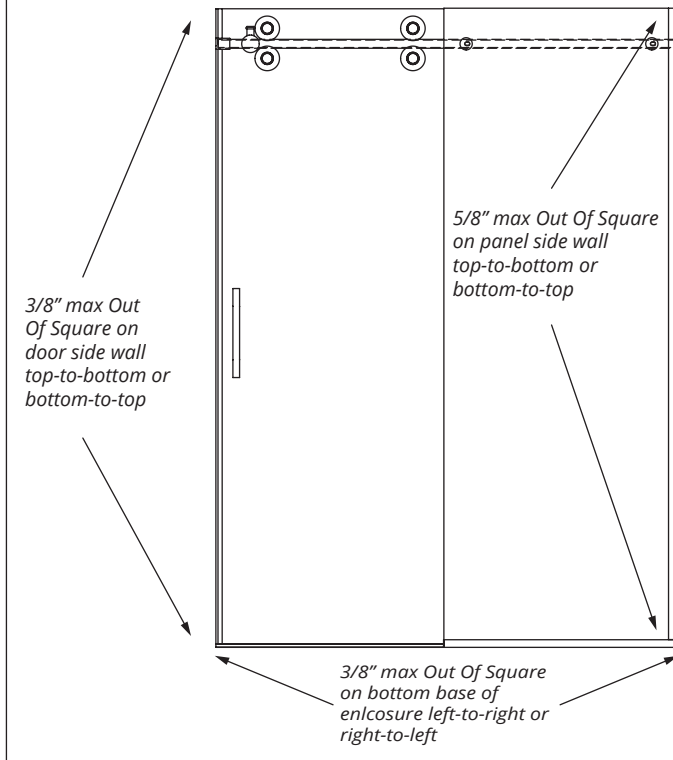
GLASSCRAFTERS INC.

All Units are available in Polished Stainless Steel, Brushed Stainless Steel or Iron-Black (add "PSS", "BSS", "IBK" to model code)

**Cleartek™** (Low-iron) glass is a super clear glass with significantly less color than standard clear glass, but is not color free. The larger the panel, the more noticeable the tint in the glass, especially on the edges.

### Acceptable Out Of Square (OOS) conditions:

For bottom base opening, 3/8" OOS from left to right  
 For wall that accepts stationary panel, up to 5/8" OOS  
 For wall that accepts door panel, up to 3/8" OOS



### Standard Features:

- 1" stainless steel rod.
- Sliding door technology: 4 stainless steel rollers with concealed ball bearings.
- 12" standard ladder handle. (8" center to center hole location)
- U-channel at base of panel.
- Clear tempered 3/8" glass.
- Acrylic water tight curb dam.

*Design and ordering for left hand or right hand door is not required as parts are reversible.*



- Cleartek™ (Low-Iron) or Standard Clear Glass
- Protective Glass Coating



### SHOWER ENCLOSURE MODELS: (All Tub units are 66" high)

XT-60T-38 57" to 60" opening with 25" to 28" walk through

XT-66T-38 63" to 66" opening with 28" to 31" walk through

GLASSCRAFTERS, INC.

193 Veterans Blvd. Carlstadt, NJ 07072

1+ (888) 683-1362 (F) 1+ (201) 525-1117

sales@glasscraftersinc.com

Distinctive Designs for Selective Tastes

# MATRIX Frameless Tub Shower Enclosure

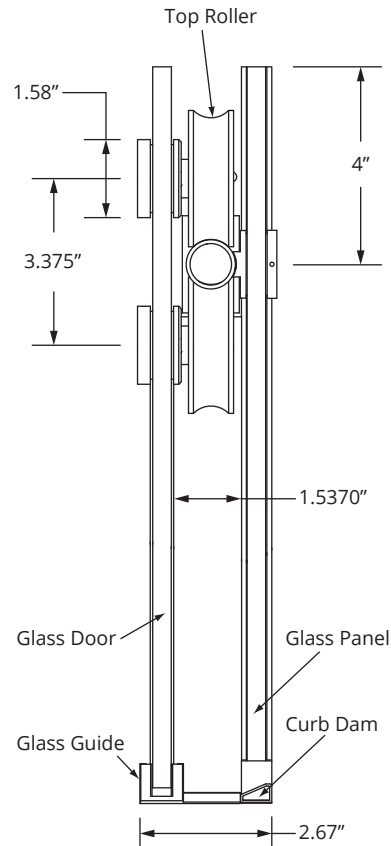
## XT-60T-38, XT-66T-38

All Units are available in Polished Stainless Steel, Brushed Stainless Steel or Iron-Black (add "PSS", "BSS", "IBK" to model code)

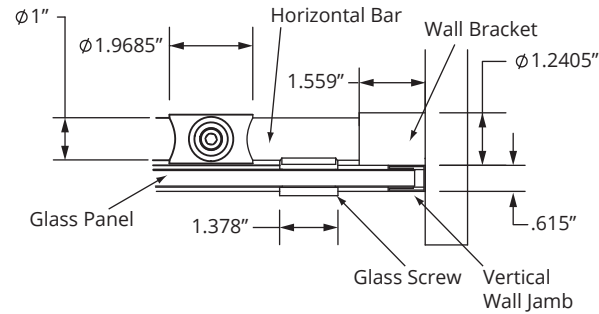


GLASSCRAFTERS INC.

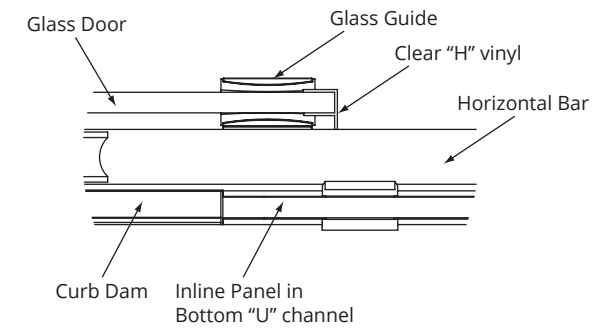
### Detail — Side View



### Detail — Top View, Right Side



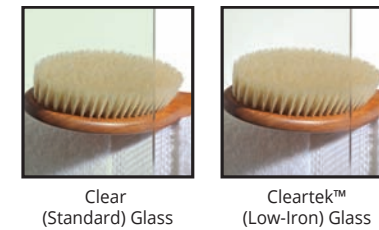
### Detail — Top View, Left Side



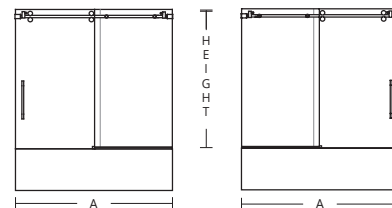
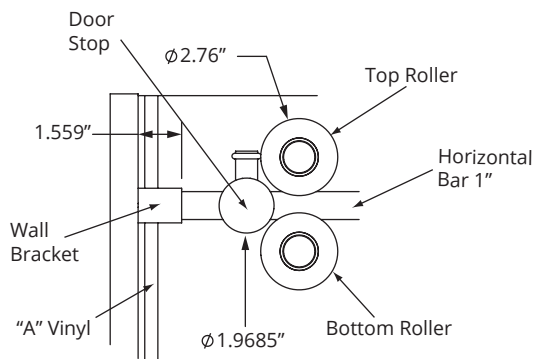
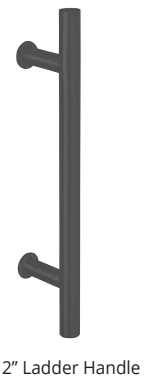
### DECORATIVE HARDWARE FINISH OPTIONS



### GLASS & HARDWARE



**Cleartek™** (Low-iron) glass is a super clear glass with significantly less color than standard clear glass, but is not color free. The larger the panel, the more noticeable the tint in the glass, especially on the edges.



Height is 66" — 3/8" glass

Model Number	Width (A) Min-Max	Overlap Max - Min	Walk Through Min-Max
XT-60T-38, BSS, PSS, IBK	57" to 60"	4" to 1"	25" to 28"
XT-66T-38, BSS, PSS, IBK	63" to 66"	4" to 1"	28" to 31"

**FOR BEST RESULTS** Glasscrafters recommends the installation be performed by a trained installer.

**WARNING: TO INSTALL ON CAST IRON, FIBERGLASS, ACRYLIC OR RESIN SHOWER BASE** Check with the tub or shower base manufacturer to determine the tooling required.

**INSTALLING THESE UNITS REQUIRES 2 PERSONS**

GLASSCRAFTERS, INC.  
193 Veterans Blvd. Carlstadt, NJ 07072  
1+ (888) 683-1362 (F) 1+ (201) 525-1117  
sales@glasscraftersinc.com

Distinctive Designs for Selective Tastes