

EPIC BY-PASS Stall Shower Enclosure

ES-42S-38, ES-48S-38, ES-54S-38, ES-60S-38, ES-66S-38, ES-48T-38, ES-54T-38, ES-60T-38, ES-66T-38



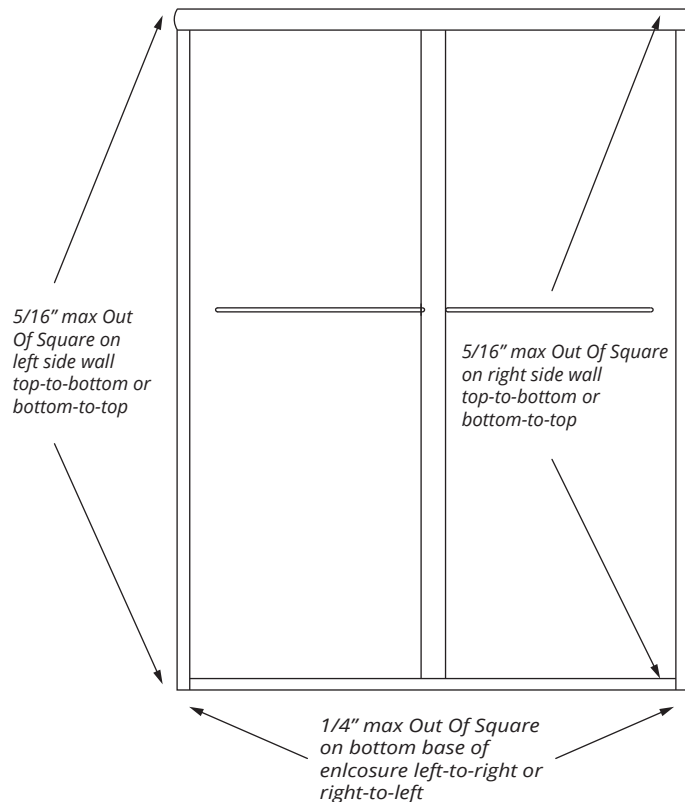
GLASSCRAFTERS INC.

All Units come in standard Polished Chrome Anodized
(see reverse side for upgrade finishes)

Acceptable Out Of Square (OOS) conditions:

For bottom base opening, 1/4" OOS from left to right.

For left and right walls that accept door panels, up to 5/16" OOS.



Standard Features:

- Clear safety tempered glass.
- Standard round or optional flat header.
- Easy-clean track and side jambs.
- Anti-lift safety brackets.
- Two standard thru-the-glass towel bars or cresent knobs available.
- Continuous rail with thru-the-glass fasteners.

Design and ordering for left hand or right hand door is not required as parts are reversible.



Upgrades Available:

- Alternative Hardware Finish Options
- Protective Glass Coating



Optional Flat Header



Standard Rounded Header

STALL SHOWER ENCLOSURES MODELS: (70 3/8" high)

ES-42S-38 36 1/8" to 42" opening

ES-48S-38 42 1/8" to 48" opening

ES-54S-38 48 1/8" to 54" opening

ES-60S-38 54 1/8" to 60" opening

ES-66S-38 60 1/8" to 66" opening

Taller STALL (75 5/8" high)

ES-48T-38 42 1/8" to 48" opening

ES-54T-38 48 1/8" to 54" opening

ES-60T-38 54 1/8" to 60" opening

ES-66T-38 60 1/8" to 66" opening

GLASSCRAFTERS, INC.

193 Veterans Blvd. Carlstadt, NJ 07072

1+ (888) 683-1362 (F) 1+ (201) 525-1117

sales@glasscraftersinc.com

Distinctive Designs for Selective Tastes

EPIC BY-PASS Stall Shower Enclosure

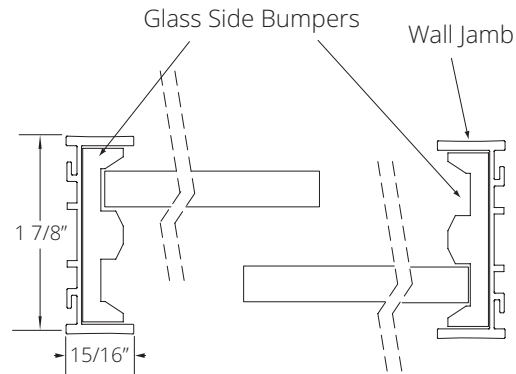
ES-42S-38, ES-48S-38, ES-54S-38, ES-60S-38, ES-66S-38, ES-48T-38, ES-54T-38, ES-60T-38, ES-66T-38



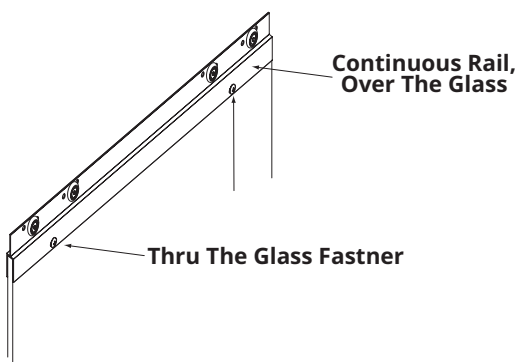
GLASSCRAFTERS INC.

All Units come in standard Polished Chrome Anodized

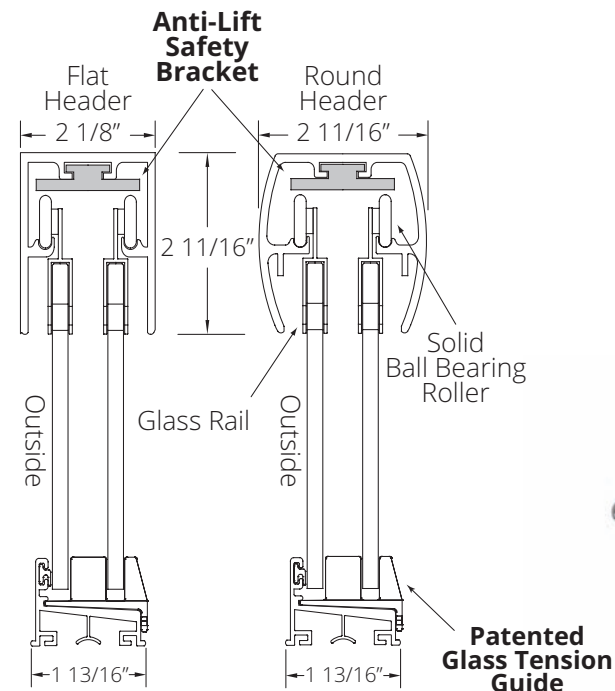
Detail — Top View, Installed, Closed Position



Detail — Inside View, Rail with Roller



Detail — Section Side View Installed



GLASS & HARDWARE



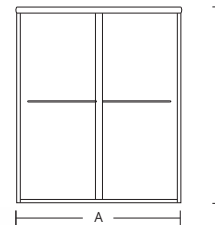
Clear (Standard) Glass



Crescent Knob KN01



Standard Towel Bar TB01



Refer to the chart on the right to select the model number that fits the Width (A) for your installation.

FOR BEST RESULTS Glasscrafters recommends the installation be performed by a trained installer.

DECORATIVE HARDWARE FINISH OPTIONS



Chrome Anodized Aluminum (CHA)
Standard Finish



Brushed Nickel Aluminum (BNA)



Oil Rubbed Bronze Paint (ORB)



Polished Nickel Aluminum (Sliders Only) (PNA)

Height is 70 3/8" or 75 5/8" — 3/8" glass

Model Number	Width (A) Min-Max
ES-42S-38	36 1/8" to 42"
ES-48S-38	42 1/8" to 48"
ES-54S-38	48 1/8" to 54"
ES-60S-38	54 1/8" to 60"
ES-66S-38	60 1/8" to 66"
ES-48T-38	42 1/8" to 48"
ES-54T-38	48 1/8" to 54"
ES-60T-38	54 1/8" to 60"
ES-66T-38	60 1/8" to 66"

WARNING: TO INSTALL ON CAST IRON, FIBERGLASS, ACRYLIC OR RESIN SHOWER BASE Check with the tub or shower base manufacturer to determine the tooling required.

INSTALLING THESE UNITS REQUIRES 2 PERSONS

GLASSCRAFTERS, INC.
193 Veterans Blvd. Carlstadt, NJ 07072
1+ (888) 683-1362 (F) 1+ (201) 525-1117
sales@glasscraftersinc.com

Distinctive Designs for Selective Tastes