



GLASSCRAFTERS INC.

GLASSCRAFTERS, INC
193 Veterans Blvd., Carlstadt, NJ 07072

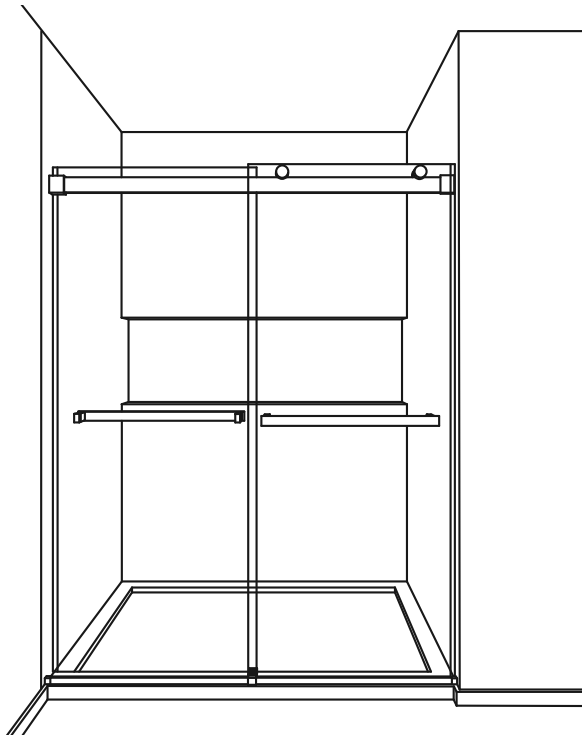
(201) 525-1117 (F) 1+(888) 682-1362
sales@glasscraftersinc.com

EQUALIS™ series

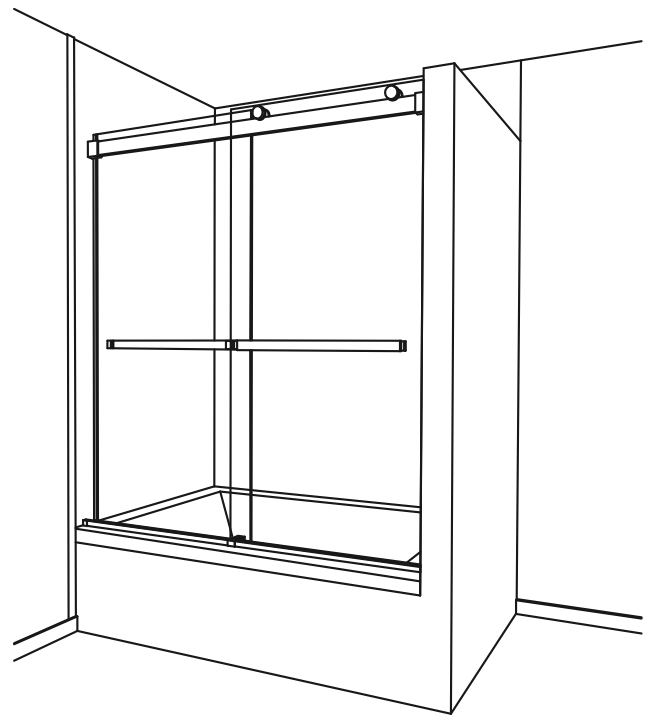
Frameless By-Pass Shower/Tub Enclosure Installation Instructions

The following instruction sheet is for the installation of the models:
SHOWER ENCLOSURES: DS-48T-38 45"- 48"w X 76"h, **DS-54T-38** 51"- 54"w X 76"h, **DS-60T-38** 57"- 60"w X 76"h
TUB ENCLOSURES: DT-60T-38 57"- 60"w X 66"h, **DT-66T-38** 63"- 66"w X 66"h

All Units are available in three finishes: Brushed Stainless Steel (BSS), Polished Stainless Steel (PSS) or Polished Chrome Aluminum (CHA)



Shower Enclosure



Tub Enclosure

FOR BEST RESULTS
GlassCrafters recommends the installation be performed by a trained installer.

**INSTALLING
THESE UNITS
REQUIRES
2 PERSONS**

**SAVE THESE INSTRUCTIONS
FOR FUTURE REFERENCE**

**EQUALIS Series Frameless By-Pass
Shower/Tub enclosures are also
available with a Return Panel.
Separate Installation Instructions for the
Return Panel are supplied in the Return Package.**

WARNING: TO INSTALL ON CAST IRON, FIBERGLASS, ACRYLIC OR RESIN TUB OR SHOWER BASE
Check with the tub or shower base manufacturer to determine the tooling required.

Please use extreme care while unpacking and handling your GlassCrafters' Shower or Tub Enclosure. If you need replacement parts or have installation questions and to report any damage contact our GlassCrafters' customer service team at 888-682-1362, Monday thru Friday from 8:00 am to 5:00 pm (EST).

Installation shall be made according to manufacturers' instructions and drawings.
GlassCrafters recommends the installation be performed by a trained installer.

CAUTION: Risk of injury or product damage. Do not attempt to cut tempered glass.

IMPORTANT! Children should be supervised at all times while in Tub/Shower Enclosure.

IMPORTANT! Never use Door Handle to support yourself. This is for towels or wash cloths only.

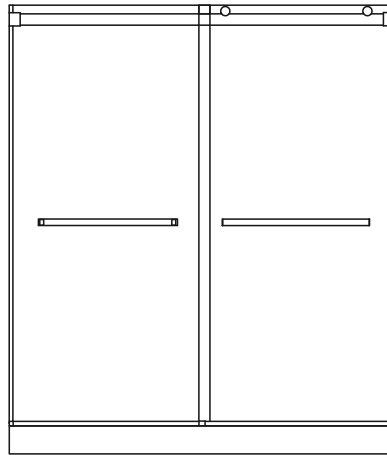
PLEASE STOP THE INSTALLATION AND CONFIRM WITH FACTORY IF THE ACTUAL NUMBER OR TYPE OF PARTS IS DIFFERENT

Tools Required - For installation of Your Shower Enclosure

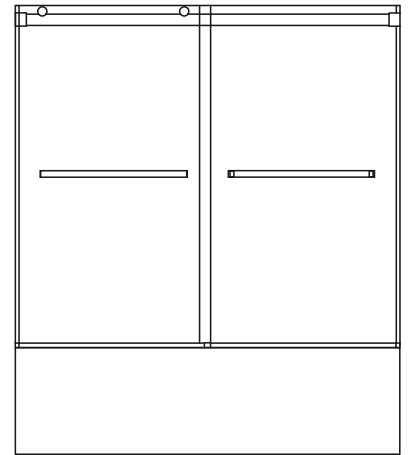
- Safety glasses
- Measuring tape
- Pencil
- Hack saw or chop saw (for stainless steel)
- Miter Box or Square
- Level
- Electric Drill
- Center Punch
- Rubber Mallet
- Drill bit, 5/16" masonry (for installation on ceramic tiles or marble)
- Power screwdriver
- #2 phillips screwdriver
- Caulking gun
- Cutting Pliers
- Suction Glass Lifters (rated for more than 100 lbs)

WARNING: TO INSTALL ON CAST IRON, FIBERGLASS, ACRYLIC OR RESIN TUB OR SHOWER BASE
Check with the tub or shower base manufacturer to determine the tooling required.

THIS MANUAL IS FOR INSTALLATION OF THE EQUALIS SERIES™ FRAMELESS -BYPASS FOR SHOWER STALL OR TUB ENCLOSURES



STALL



TUB

Parts Description

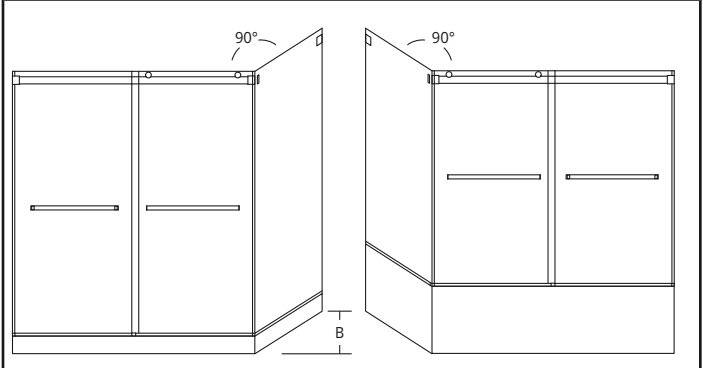
| ITEM NO. | DESCRIPTION | QTY. |
|----------|-------------------------------|------|
| 1. | Header Wall Brackets | 2 |
| 2. | Header | 1 |
| 3. | Inside Roller Door Stop | 2 |
| 4. | Outside Roller Door Stop | 2 |
| 5. | Glass Door | 2 |
| 6. | Inside Door Roller Assembly | 2 |
| 7. | Outside Door Roller Assembly | 2 |
| 8. | Flat Head Screws, #8 x 1 1/4" | 7 |
| 9. | Plastic Wall Anchors | 7 |
| 10. | Center Guide | 1 |
| 11. | Roller Adjustment Wrench | 2 |
| 12. | Curb Dam | 1 |
| 13. | Curb Dam Bracket | 2 |
| 14. | Hex Key Set (4) | 1 |
| 15. | Towel Bar Assembly | 2 |
| 16. | "A" Vinyl /Bumper | 2 |
| 17. | Clear "H" Vinyl | 1 |

ASSEMBLY AND INSTALLATION INSTRUCTIONS:

GlassCrafters recommends the installation be performed by a trained installer.

- Read the manual and become familiar with the steps involved in installation.
- This product requires **Two Persons** for safe installation.
- Always wear safety glasses during this installation.
- The proper dimensions for this installation were submitted at the time of order. The two doors may overlap to accommodate minor smaller opening. One end of the Header may be cut with a Hacksaw for stainless steel, but it must fit completely in the Header Wall Brackets for a safe installation.
- When installing any mechanical parts through the pre-drilled holes in the glass door and panel be sure to use the gaskets and bushings supplied between any metal element and the glass. Do not overtighten any fittings.
- If the installation is over ceramic tiles the wall jamb must lay flat on these tiles for the entire height of the unit.
- Silicone Sealant is used to seal some parts during installation and the inside of the enclosure as shown in Detail 13A. Do not caulk from the outside of the enclosure.

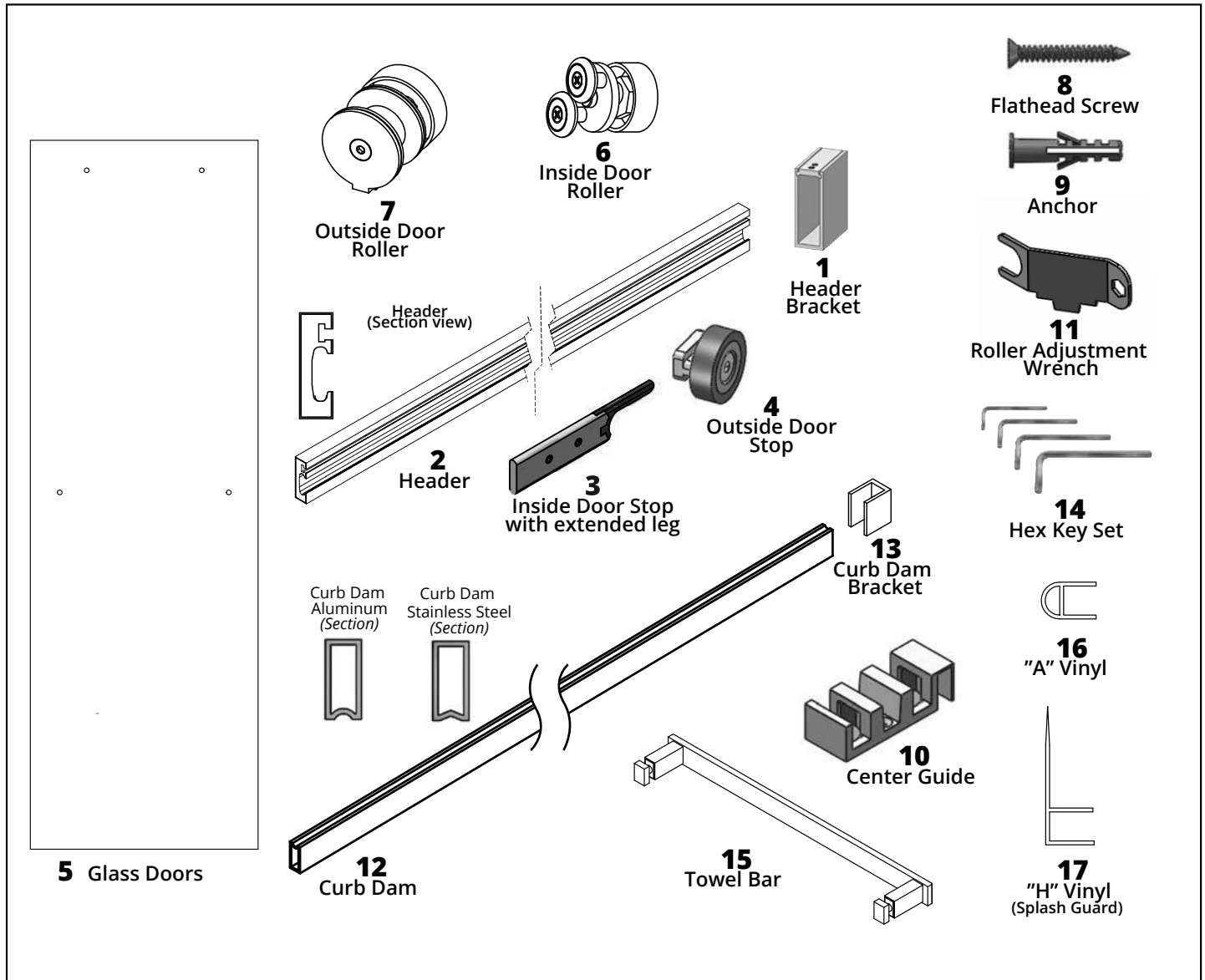
THE EQUALIS SERIES™ FRAMELESS -BYPASS IS ALSO AVAILABLE WITH RETURN FOR BOTH SHOWER STALL OR TUB ENCLOSURES. THE RETURN CONFIGURATION HAS A SEPARATE MANUAL FOR THE RETURN.



IMPORTANT: Read all instructions carefully and become familiar with all parts before installation.

- Unpacking:**
- A box Cutter should not be use to open any box.
 - Please remove all staples from the box prior to unpacking metal and glass.
 - Stand Panels upright on a cushioned base, such as a piece of carpet or towel.
 - Never place glass directly on hard surfaces.
 - Any assembly that requires the panel to lay flat must be on a cushion surface.

Parts



When ordering replacement parts, please specify the Model Number, Item Number & Part Description. Save these Installation Instructions For Future Reference.

Write your Dealer information down on Notes Section.
Ask your Dealer for JOB LOG NUMBER (Lxxxxxx-xxx) referencing to your shower enclosure.

VERY IMPORTANT -- If your installation includes a RETURN PANEL consult the instructions and part list for the Return Panel and follow those steps.

IMPORTANT: Determine if your Tub/Shower Stall Enclosure ledge is Level and Walls are plumb. If they are out of Level/Plumb, by more than 3/8", STOP! and call Customer Service.

The Phone number is 1-888-683-1362 .

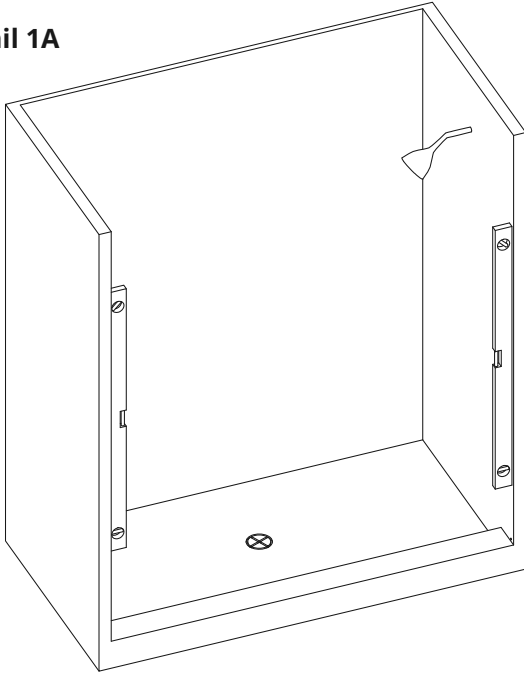
If they are Level/Plumb, or out of Plumb for less than 3/8" proceed with installation.

SPECIAL NOTE:

3 1/8" MINIMUM CURB WIDTH REQUIRED.

STEP 1 Determine the Plumb Condition of the opening: Use a level to determine that the enclosure is plumb on both sides. If any side is out of plumb more than 3/8" it will make the adjustment of the Glass Doors complicated.

Detail 1A

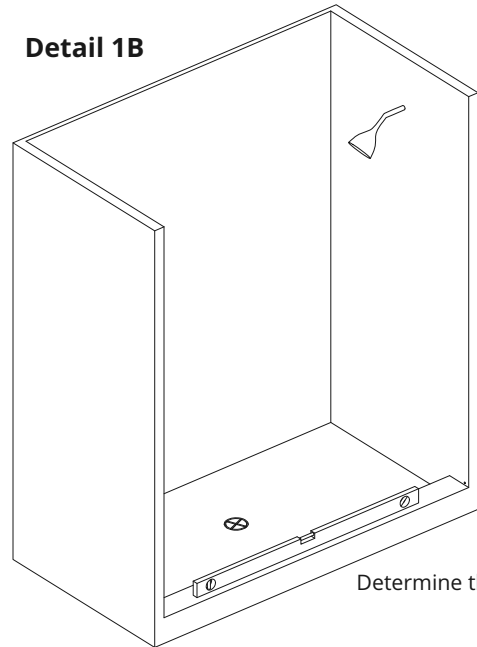


STEP 1B Determine the Level and Centerline of the Curb

Determine the level and mark the "high" side of the curb. (A maximum of 3/8" out of level is acceptable. Make a note of the OOS (Out Of Square) measurement for use in Step 4)

Draw a pencil line side to side on the center line of the Curb.

Detail 1B

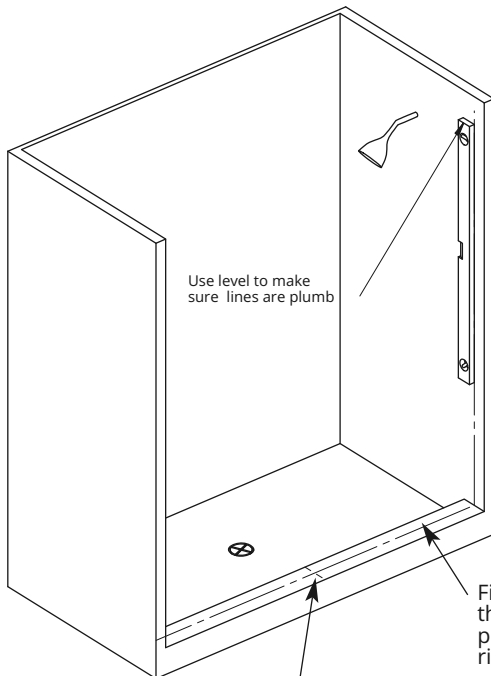


Determine the high side

STEP 2 Use a level to determine the exact vertical plumb position of the pencil line that extends the centerline on the vertical wall.

Detail 1C

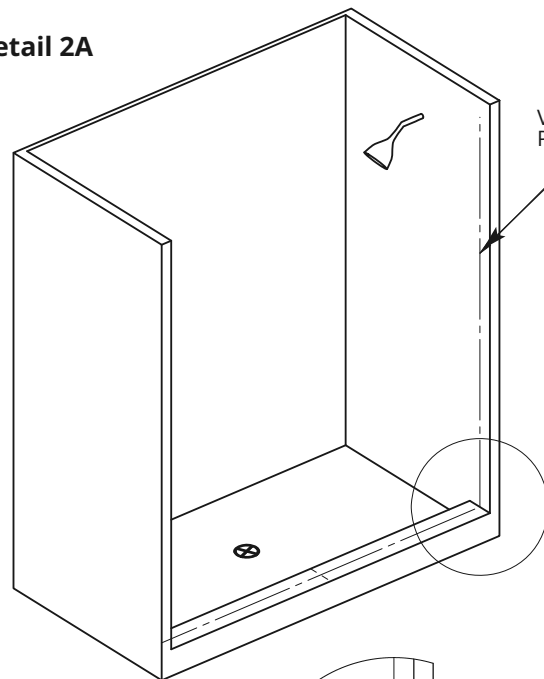
Draw a pencil line front to back on the exact center of the curb.



Use level to make sure lines are plumb

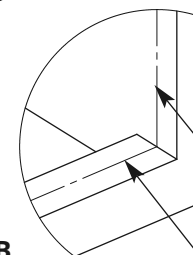
Find the Centerline of the curb and mark a pencil line from left to right.

Detail 2A



Vertical Plumb line

Find the Midpoint of the Curb and mark a pencil line from front to back



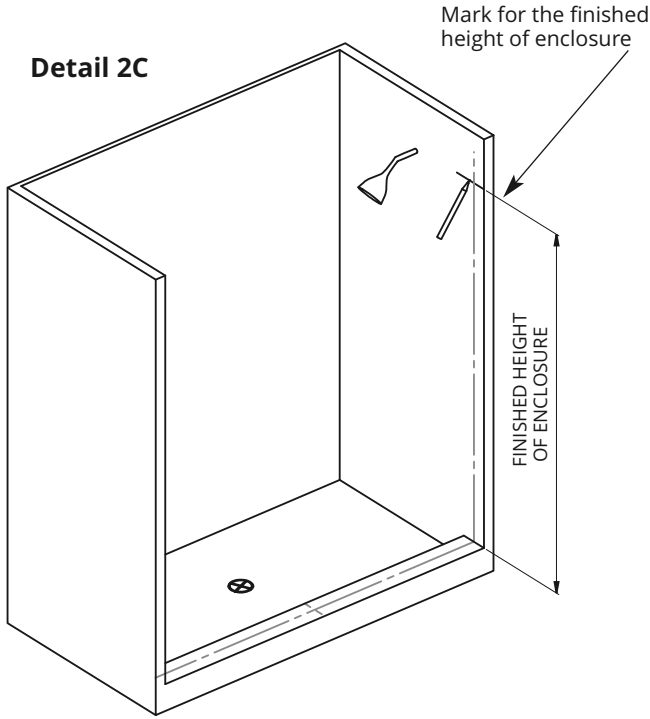
Vertical Plumb line

Centerline of the curb

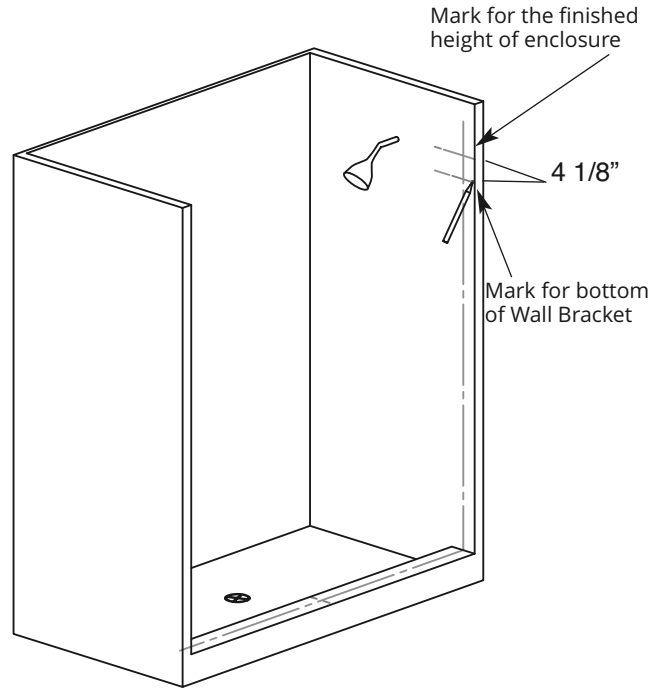
Detail 2B

STEP 2C Mark the height of the enclosure -- 76" high or 66" high unit.

**FOR MODELS USING A RETURN PANEL:
Stop here and read the installation manual for
the RETURN PANEL.
The Return panel and supporting
elements must be installed before proceeding.**



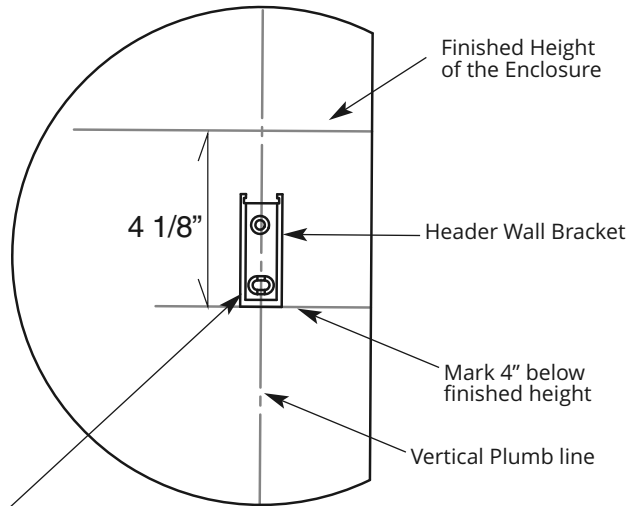
STEP 2D Mark another line 4 1/8" below the finished height of the enclosure.



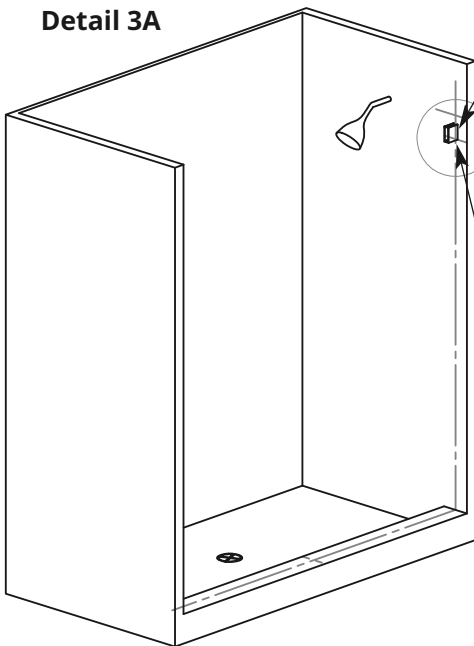
STEP 2E Place the Wall Bracket on the marked location and mark the hole locations.

STEP 3 Drill and install the install the Header Wall Bracket Use the Flathead Screws and and anchors as supplied.

Detail 3B

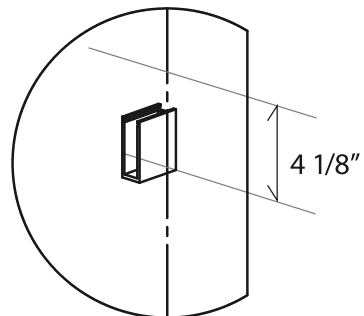


Place the Header Wall Bracket on the wall as shown. Mark the hole locations.



Drill the holes for the Wall Bracket as marked.

Detail 3C



STEP 4 Position for second Header Wall Bracket --

Perform the same steps for measuring and marking the plumb location of the second Header Wall Bracket. (As shown in Details 2A, 2B, 2C, and 2D.

IMPORTANT NOTE: Make the adjustment for the OOS (Out Of Square) measurement.

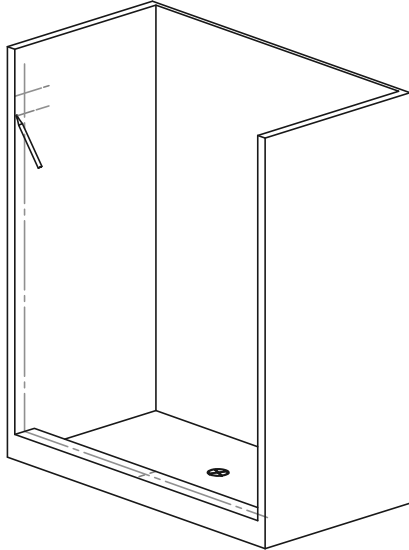
EXAMPLE--If the Curb is OOS 3/8" then the finished height of the enclosure will be plus 3/8" (76 3/8" or 66 3/8").

Detail 4A

Use a level to continue the curb centerline up the wall, Mark with a pencil.

Mark for the finished height of enclosure. Adjust here for OOS as measured at the curb low side,

Draw the Bracket position line 4 1/8" below

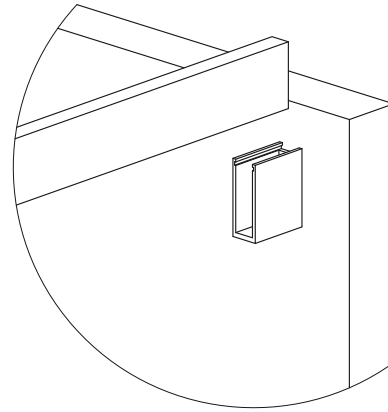


STEP 4B

Place the second Header Wall Bracket on the Header and place the Header in the installed Wall Bracket.

NOTE: When placing the header into the bracket squeeze each end to be sure that the stainless steel cladding is tight against the aluminum header bar to avoid bending and damaging the header finish.

Lower the Header with the installed Wall Bracket into position as marked with your measurements.



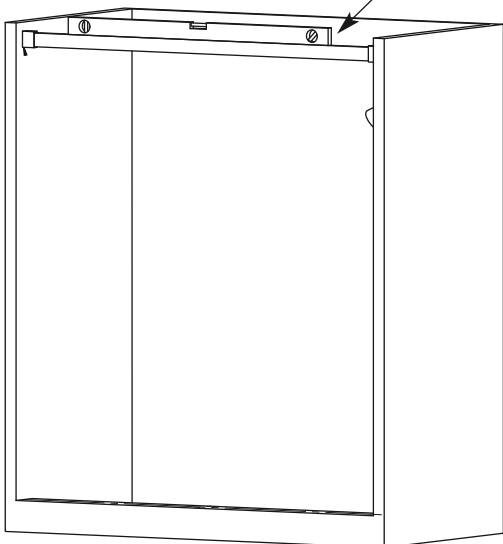
Detail 4B

STEP 4C

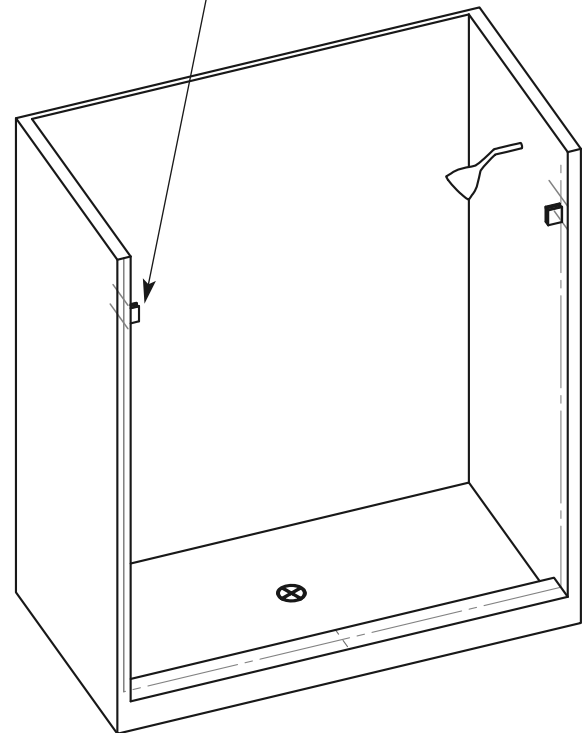
Use a level to determine the confirm level position for the second Wall Bracket.

Detail 4C

To check that the header is exactly level hold the bracket and the header in place on the measure marks and check with a level.



STEP 5 Drill and install the second Header Wall Bracket.

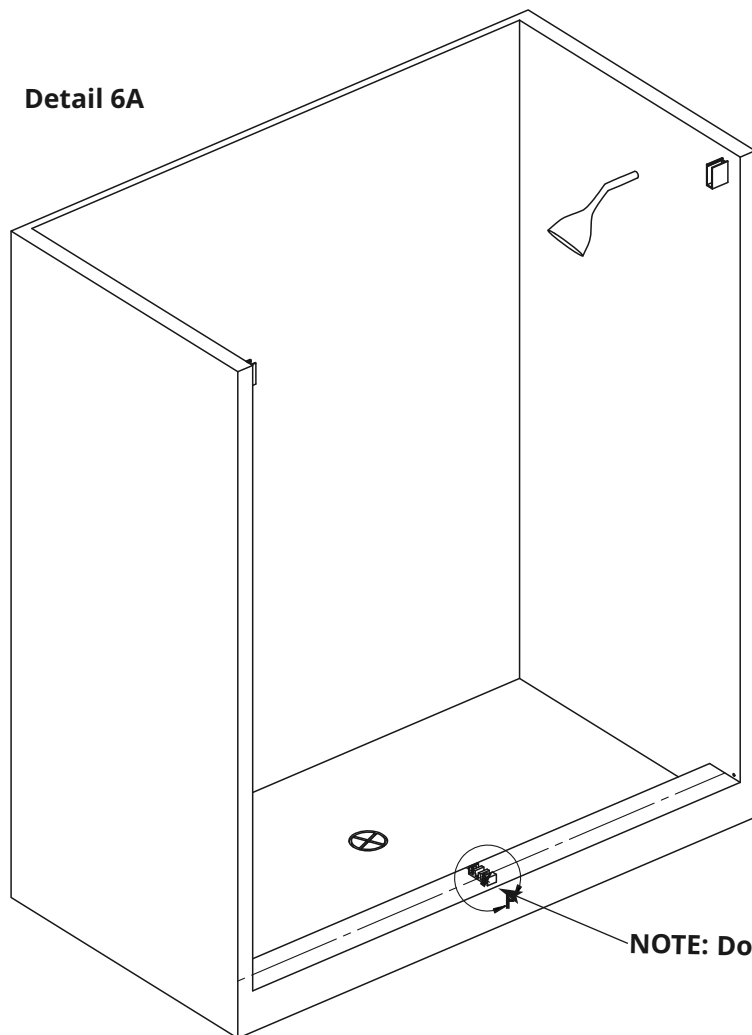


Detail 5A

IMPORTANT NOTE: The header must be exactly level to insure the correct operation of the doors. If the header is out of level the doors will not close properly.

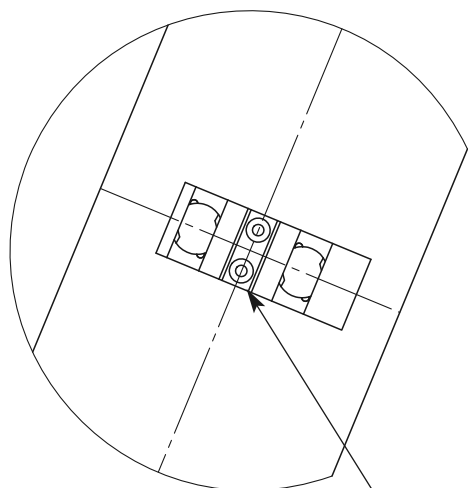
NOTE: DO NOT install the Header at this time.

STEP 6 Place the bottom guide in position on the centerline and mark the holes. Drill and install the anchors, **but do not install the guide at this time.**



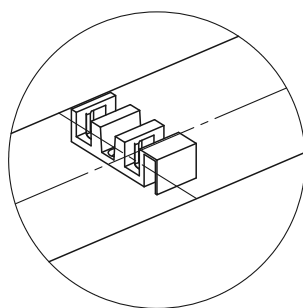
Detail 6A

NOTE: Do not install the Guide at this time.



Detail 6B

Mark the holes, drill and install the anchors.

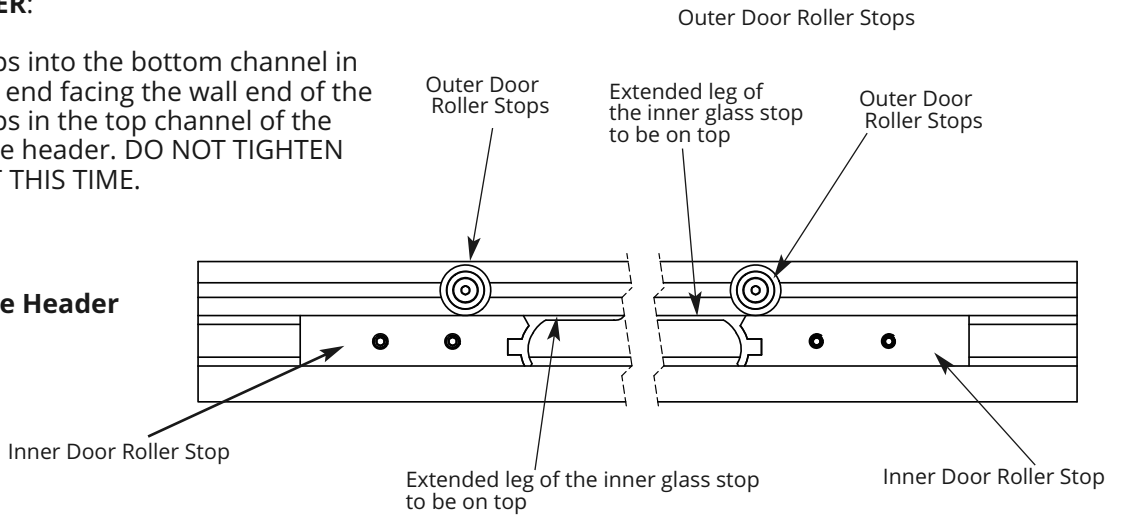


Detail 6C

PRE-ASSEMBLE THE HEADER:

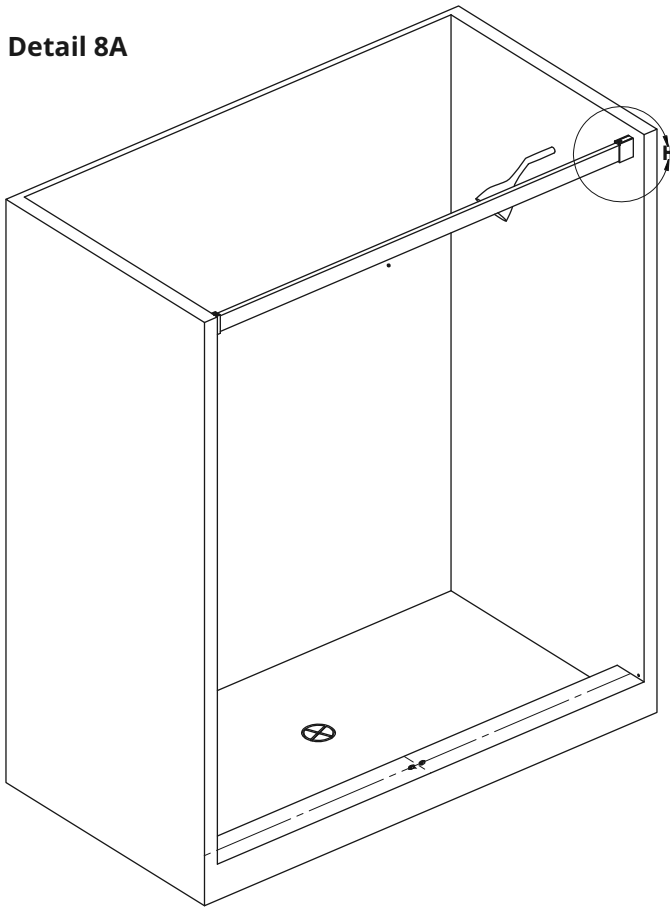
STEP 7 Slide the inner stops into the bottom channel in the header with the square end facing the wall end of the header. Slide the outer stops in the top channel of the header near each end of the header. **DO NOT TIGHTEN THE SCREWS FOR STOPS AT THIS TIME.**

Detail 7A Shows inside of the Header

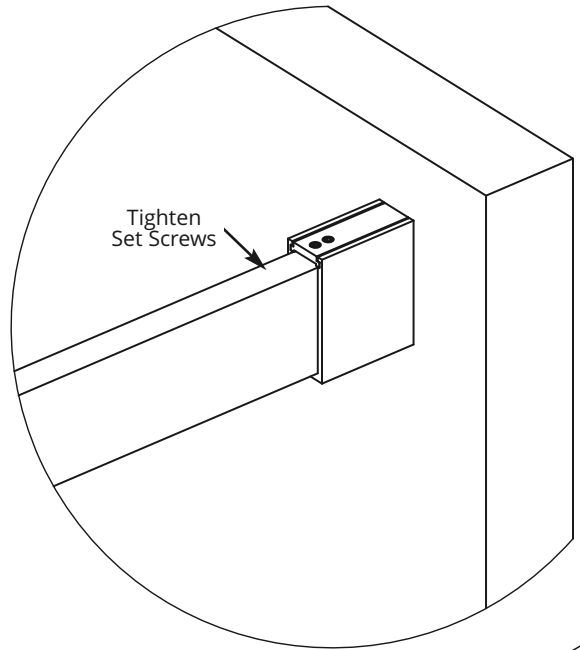


STEP 8 Install the header in the wall brackets, insert the brack covers and tighten the set screws. Be sure the header rest firmly on the bottom of the bracket and that it is exactly level.

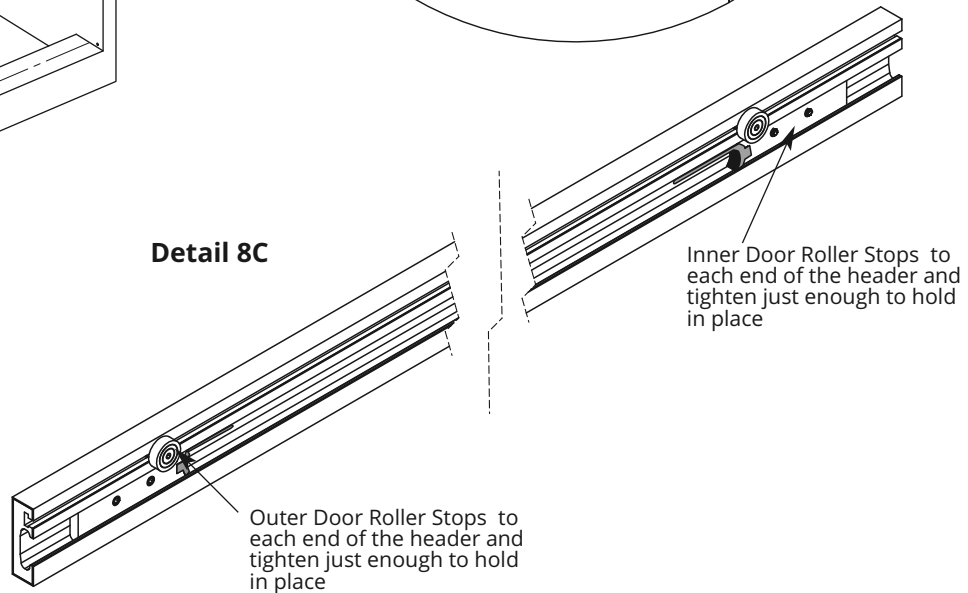
Detail 8A



Detail 8B



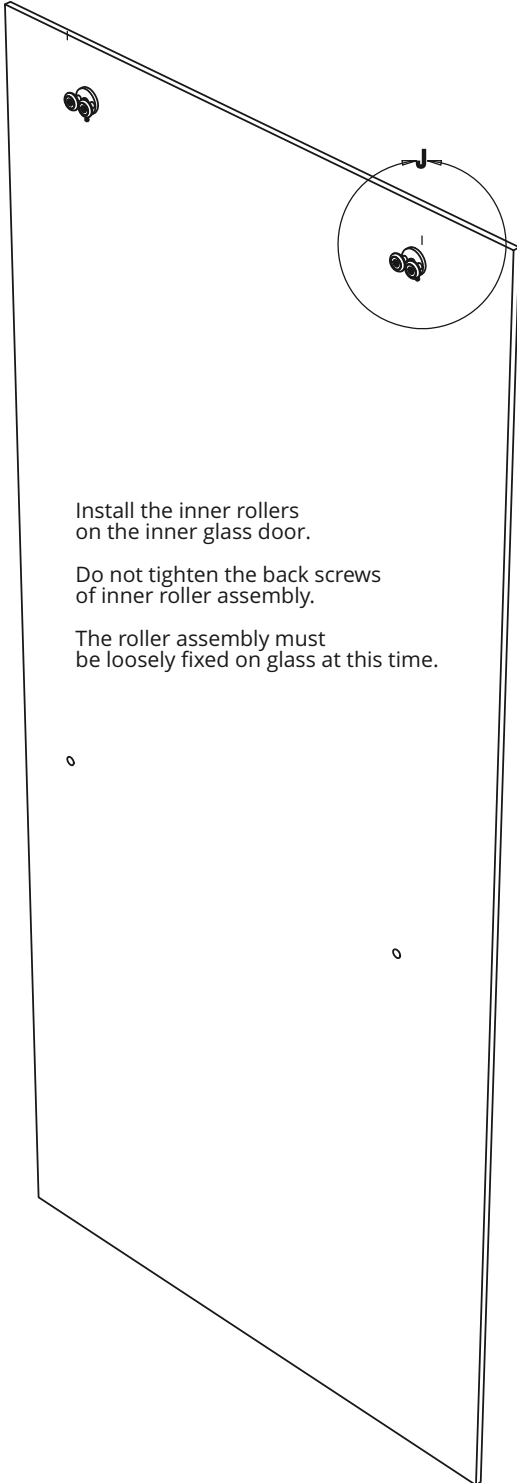
Detail 8C



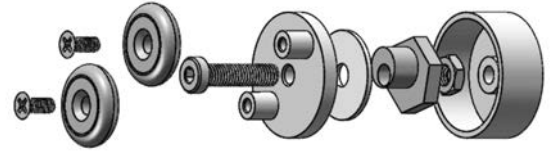
PRE-ASSEMBLE THE INNER DOOR:
(Note: the inner glass door has an identifying label.)

STEP 9 Install both of the inner glass door Roller Assemblies on the door. Each assembly has twin rollers that face out. Do not tighten the back screws on the assembly. The rollers must sit tight on the glass but the back screw must only be hand tight.

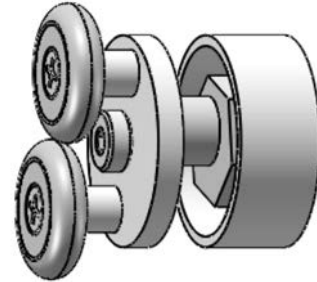
Detail 9A



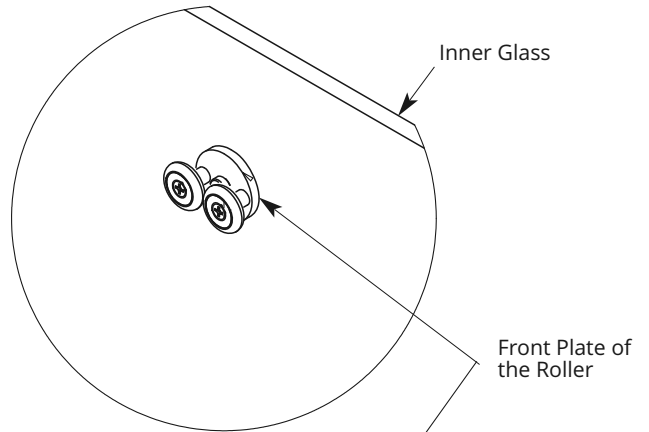
Detail 9B Inner Roller Assembly (Exploded View)



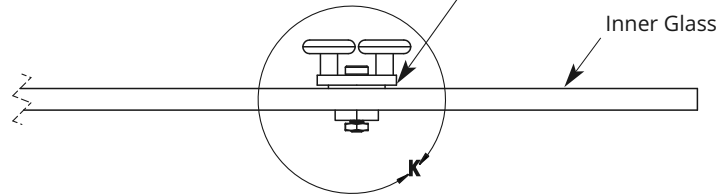
Detail 9C Inner Roller Assembly (as supplied assembled)



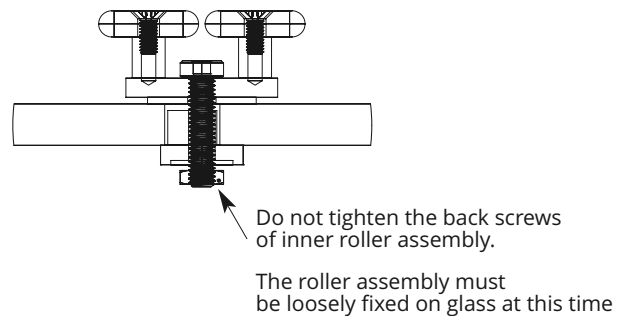
Detail 9D



Detail 9E Top View



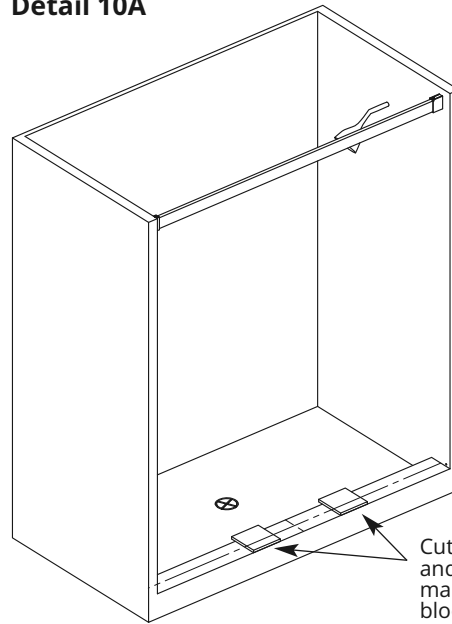
Detail 9F Section View



INSTALL THE INNER DOOR:

STEP 10 Create two cushioning blocks for the inner door installation. Use the cardboard from the box and cut, tape and assemble two 3/8" to 1/2" thick 6" x 6" blocks. Tape into place on the curb as shown.

Detail 10A



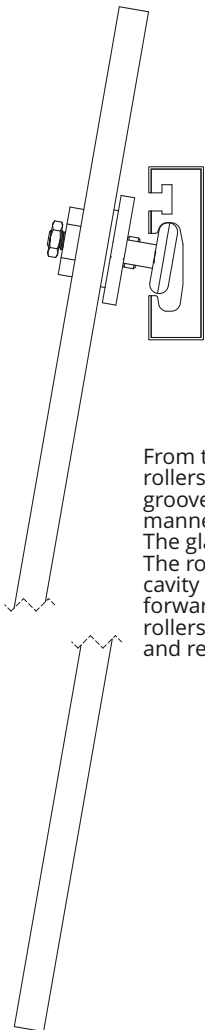
Set two 3/8"-1/2" blocks (not provided) on curb top (as shown). Use the cardboard from the boxes that glass was shipped in for the blocking.

Cut 4 strips of cardboard 6"x 6" and tape 2 of them together making 3/8"-1/2" thick 6" x 6" blocks. Make 2 blocks out of 4 strips.

STEP 11 The inner door is installed from the inside with the twin rollers facing out. Lift the door over the curb and angle it to the inside. Working from each side of the door lift and tip it (about 15 to 25 degree angle is necessary) so that the rollers on both sides of the door move up and into the designated channel. As you lower the door into the track move the position to vertical and rest on the cushioning blocks on the curb. Tighten the back screws of the rollers with the wrench supplied. Remove the cushion blocks.

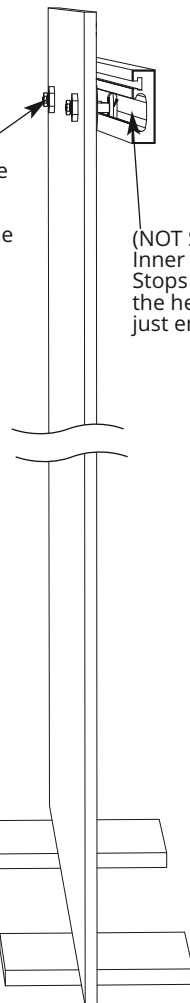
Move the inside stops to the ends of the header and temporarily snug them in place to prevent the Glass from hitting the wall during installation. Final stop adjustment is done in step #16

Detail 11A



From the inside-- Lift the inner door with rollers assembled and set the rollers inside the groove on the inner side of the header in the manner shown. The glass door must be angled - 15-25 degrees. The rollers must go in and up into the upper cavity of header. Swing the bottom of glass forward to parallel it with header until both rollers are inside the groove bring the glass and rest it on the cushion blocks on the curb.

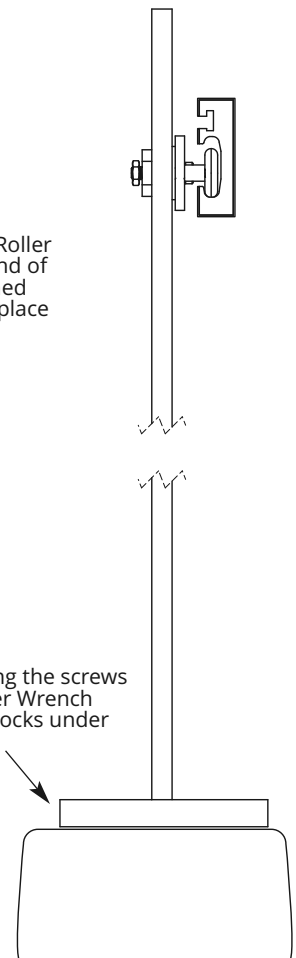
Detail 11B



When the glass door is resting on the blocking and rollers are inside the header use the Roller Wrench to tighten the screws on the back of the rollers.

(NOT SHOW HERE) Inner and Outer Door Roller Stops must be in the end of the header and tightened just enough to hold in place

Detail 11C



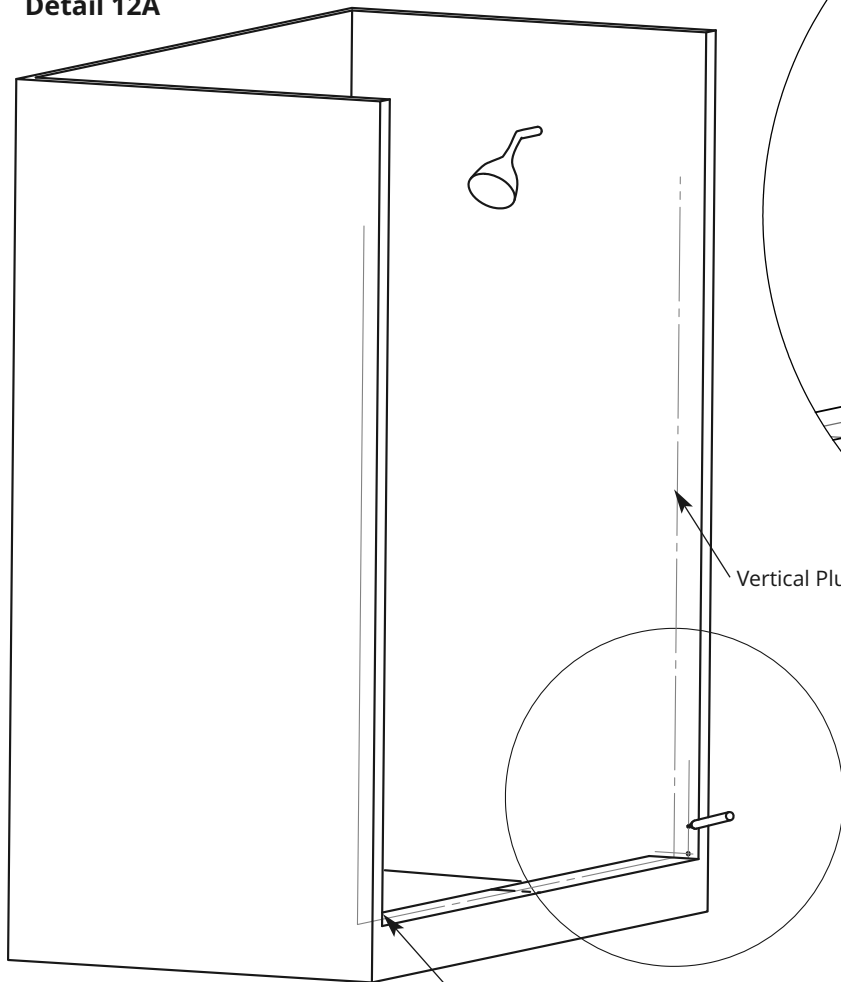
After tightening the screws with the Roller Wrench remove the blocks under the doors

STEP 12

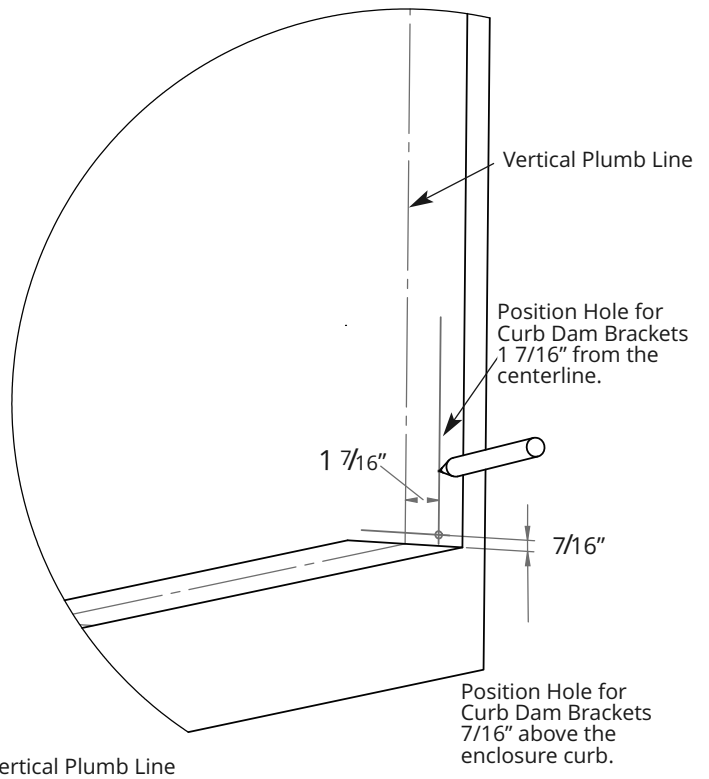
Measure to Position the Curb Dam Brackets. Mark the position of the Curb Dam Brackets as shown below in Detail 12B. Or measure the position for the Curb Dam Brackets, $1 \frac{7}{16}$ " to the outside of the centerline and $\frac{7}{16}$ " above the surface for the curb or use. Drill and insert the Anchors.

Detail 12B

Detail 12A



Position and install the second Curb Dam Bracket with the same steps as outlined above.



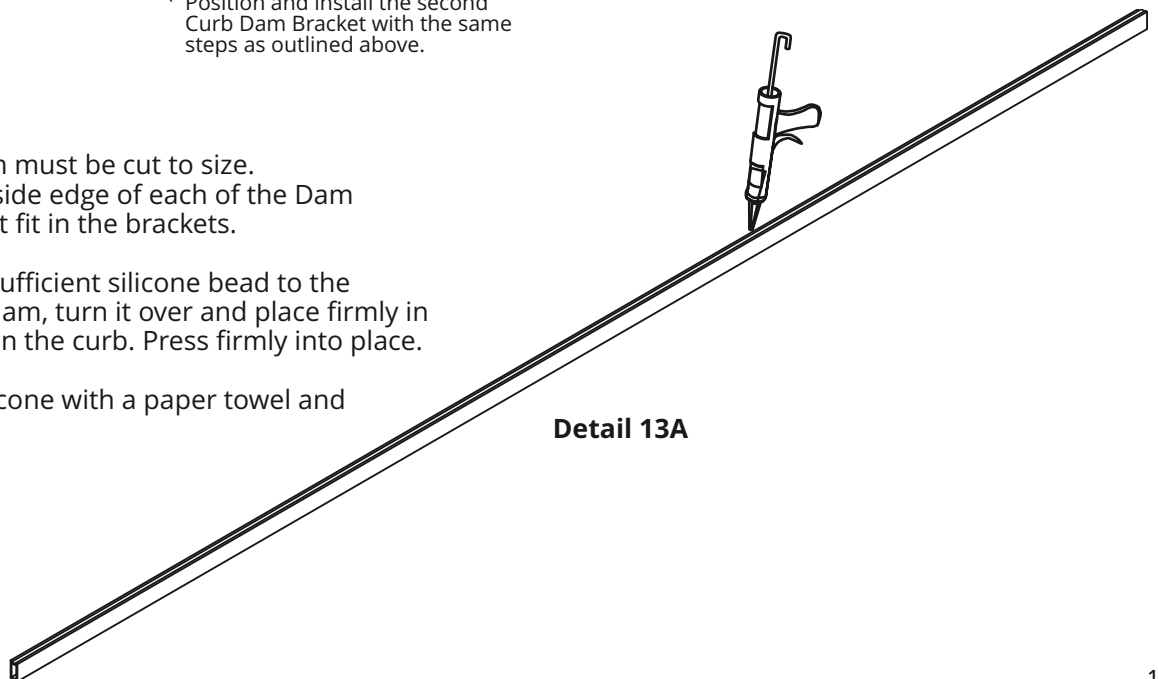
Detail 12C Screw both Curb Dam Brackets into place with the Flathead Screws Provided.

STEP 13 The Curb Dam must be cut to size. Measure it from the inside edge of each of the Dam Brackets. Cut it and test fit in the brackets.

Lift out and apply the sufficient silicone bead to the bottom groove of the dam, turn it over and place firmly in the wall brackets and on the curb. Press firmly into place.

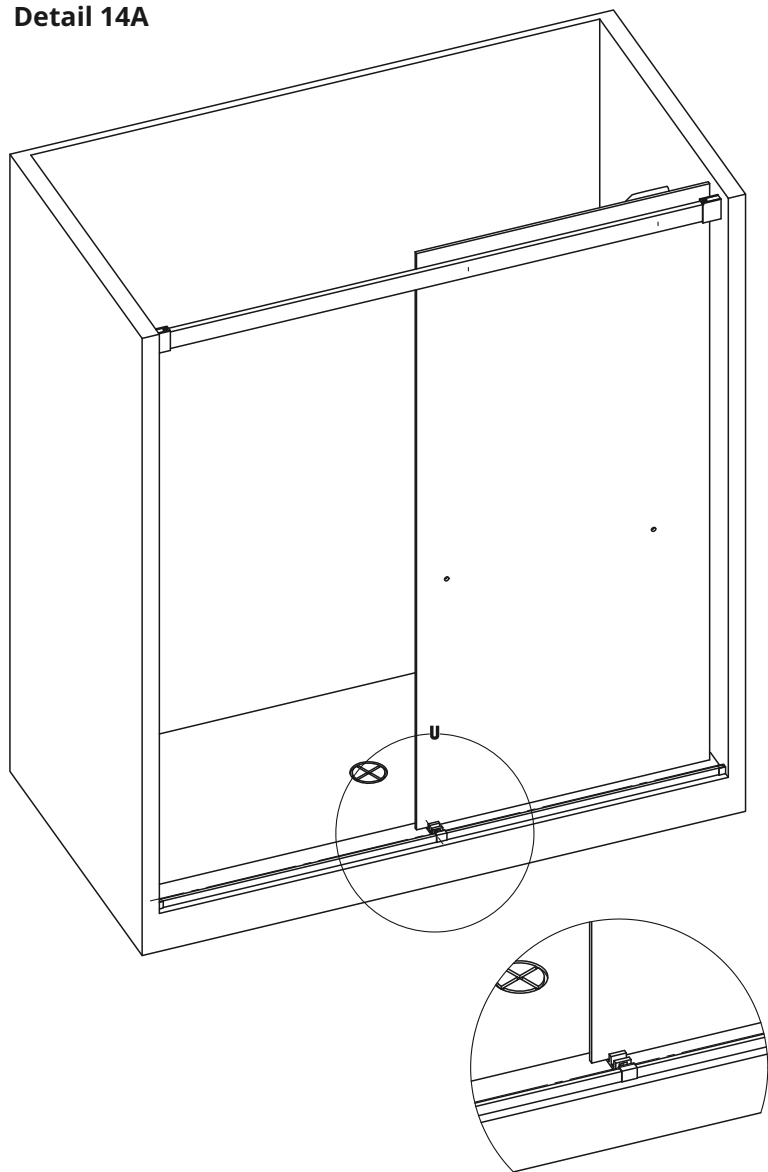
Remove any excess silicone with a paper towel and denatured alcohol.

Detail 13A

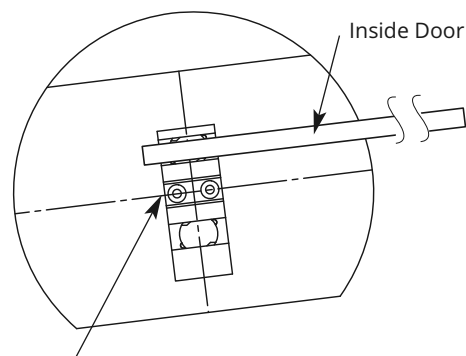


STEP 14 Set the bottom Guide on the curb and over the curb dam and slide under the inside door. Align with the predrilled holes and screw into place with the flathead screws provided.

Detail 14A



Detail 14B Top View

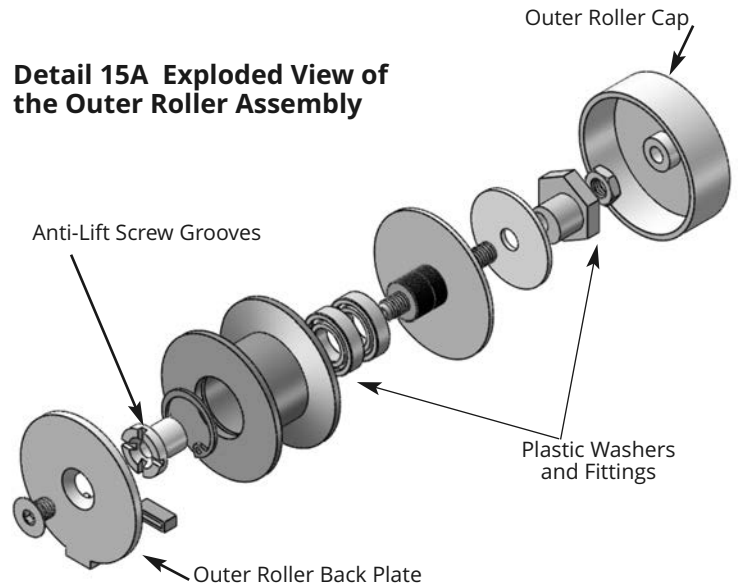


Slide the Center Guide under the Inside Door and position over the previously drilled holes. Screw into place with the Flathead Screws provided.

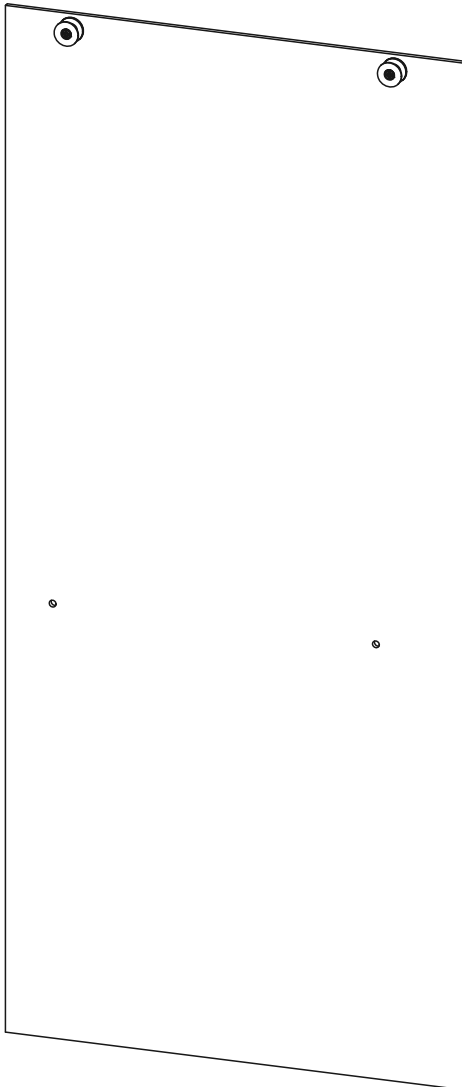
INSTALL THE OUTER DOOR:
(Note: the outer glass door has an identifying label.)

- STEP 15** Install the Outer Roller assemblies in the predrilled holes in the outer glass door.
- The Roller assemblies go on the inside of the door.
 - Be sure to use the plastic washers fittings as supplied in the assembled Rollers to protect the glass from metal elements.
 - Tighten the Roller into position from the outside of the door. **Do not overtighten** as the final adjustment of the door operation may be required.
 - BE SURE THAT THE "ANTI-LIFT" SCREW GROOVES IN THE CENTER OF THE ROLLER -- AS VIEWED FROM THE INSIDE-- ARE PERPENDICULAR TO THE EDGE OF THE GLASS. (See Detail 15C)
 - **Do not install the Outer Roller Cap** or the Outer Roller Back Plate and screw until after the doors are finally adjusted.

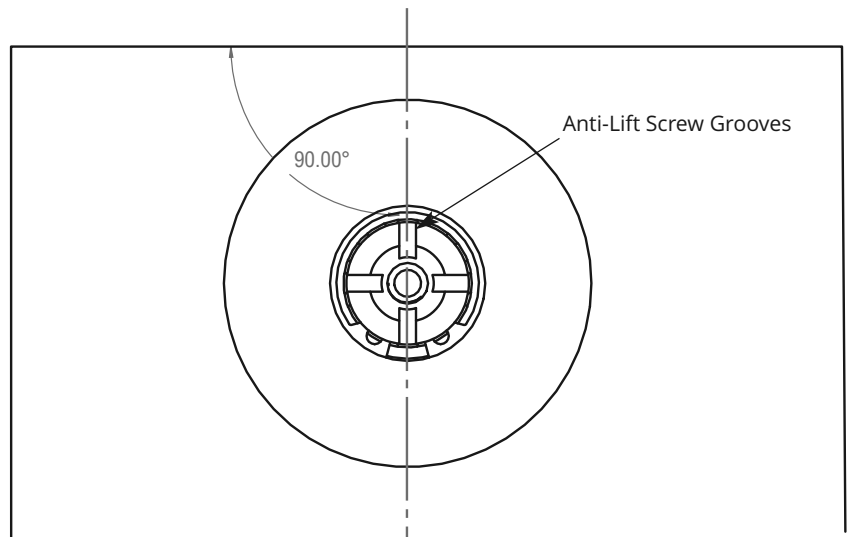
Detail 15A Exploded View of the Outer Roller Assembly



Detail 15B



Detail 15C As viewed from the inside of the door

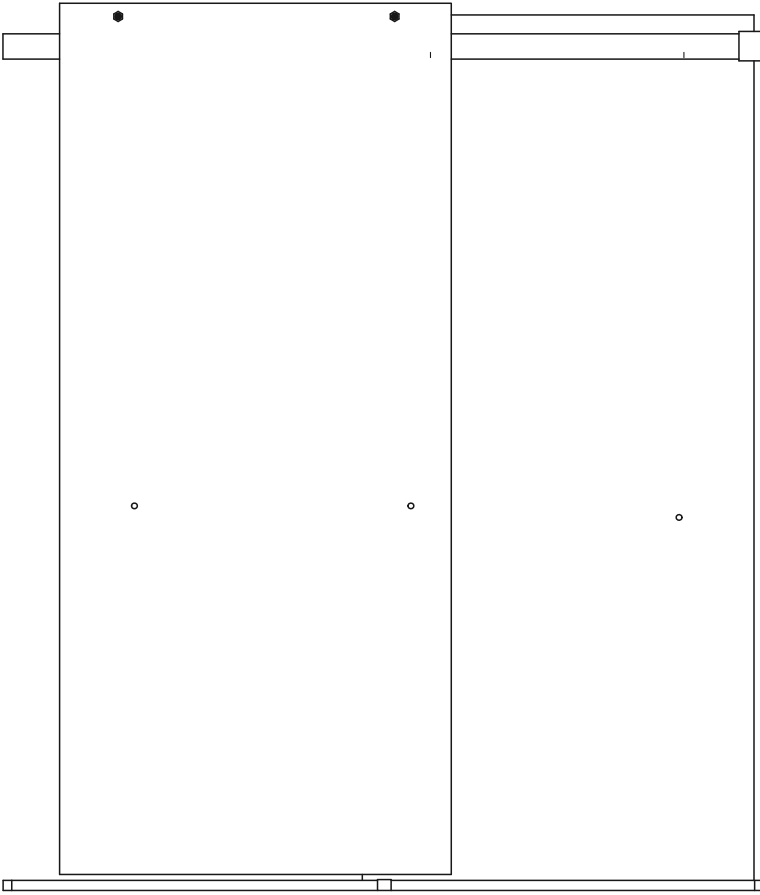


BE SURE THAT THE "ANTI-LIFT" SCREW GROOVES IN THE CENTER OF THE ROLLER -- AS VIEWED FROM THE INSIDE-- ARE PERPENDICULAR TO THE EDGE OF THE GLASS.

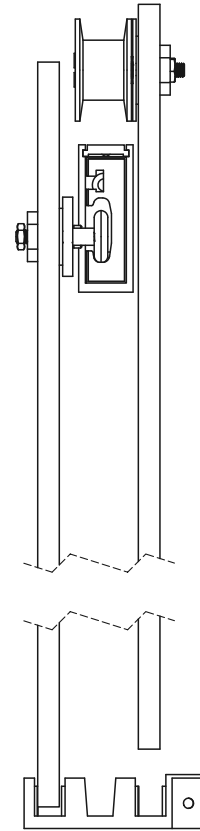
Do not install the Outer Roller Cap or the Outer Roller Back Plate and screw until after the doors are finally adjusted.

STEP 16 Lift the door straight up and lower it into position with the Roller on the header with the bottom edge of the glass inside the guide on the curb. Test the movement left to right to be sure the doors move freely and are not scaping on the bottom guide.

Detail 16A Front View

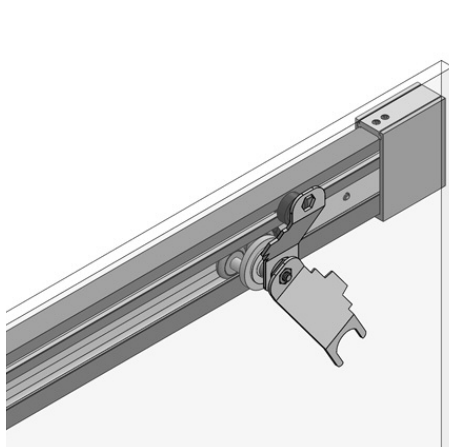


Detail 16B Side View

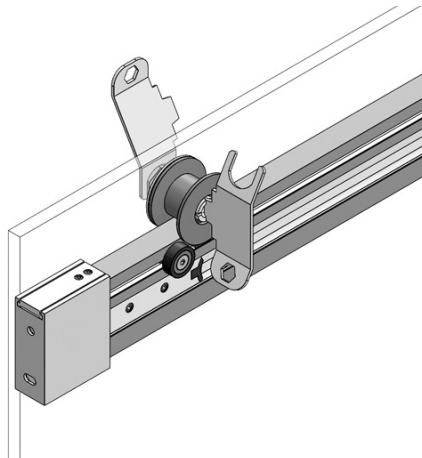


Adjust the doors using the roller adjustment wrenches, as supplied, as shown in the illustrations **Detail 16C** for the inside door rollers and **Detail 16D** for the outside door rollers. After they are adjusted for smooth operation tighten the inner door roller screws and place the Inner Roller Cap **Detail 16E** over each Inner Roller. Fix the Inner Roller Cap in place with the set screw. Install the Outer Roller Cap **Detail 16F** and the Outer Roller Back Plate as shown in the Illustrations. Fix the Outer Roller Caps and Back Plates in place with the set screws.

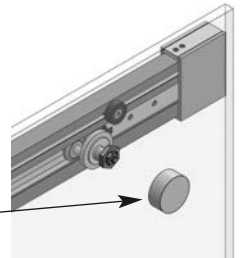
Detail 16C



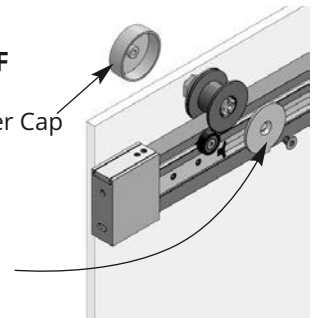
Detail 16D



Detail 16E
Install the Inner
Roller cap

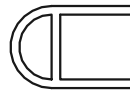


Detail 16F
Install the
Outer Roller Cap
and the
Back Plate



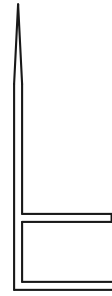
STEP 17 Install the "A" Vinyls on the wall side of each door. The "A" Vinyls are supplied oversized and should be measured against the glass and cut to size. An "H" Vinyl is also supplied to be installed on the inside edge of the Inner door to be used only if the shower sprays into the gap between the doors.

Detail 17A "A" Vinyl

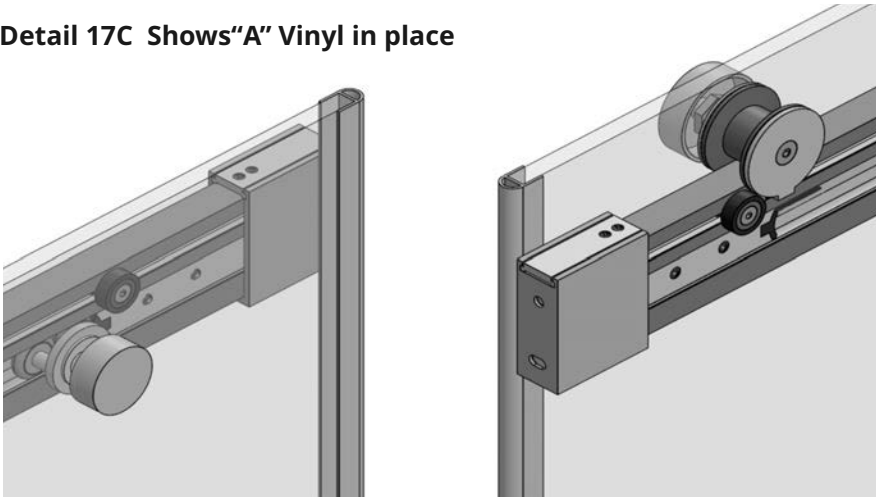


Detail 17B "H" Vinyl

Only use if needed as a splash guard between the doors



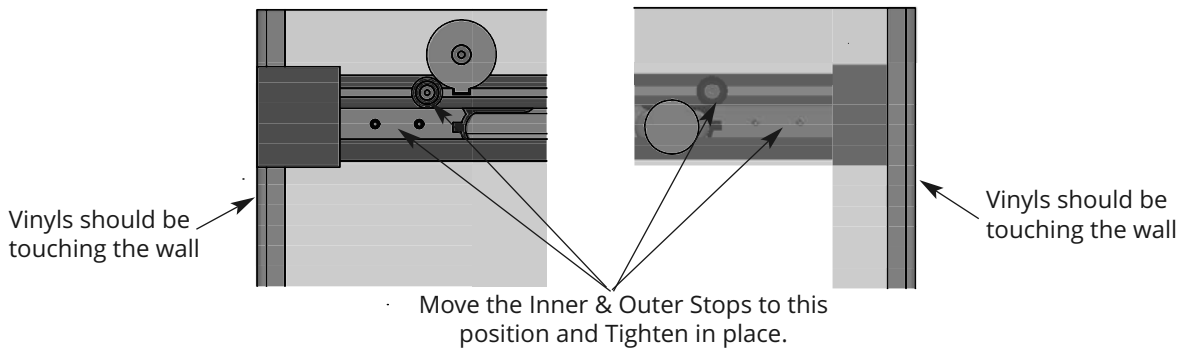
Detail 17C Shows "A" Vinyl in place



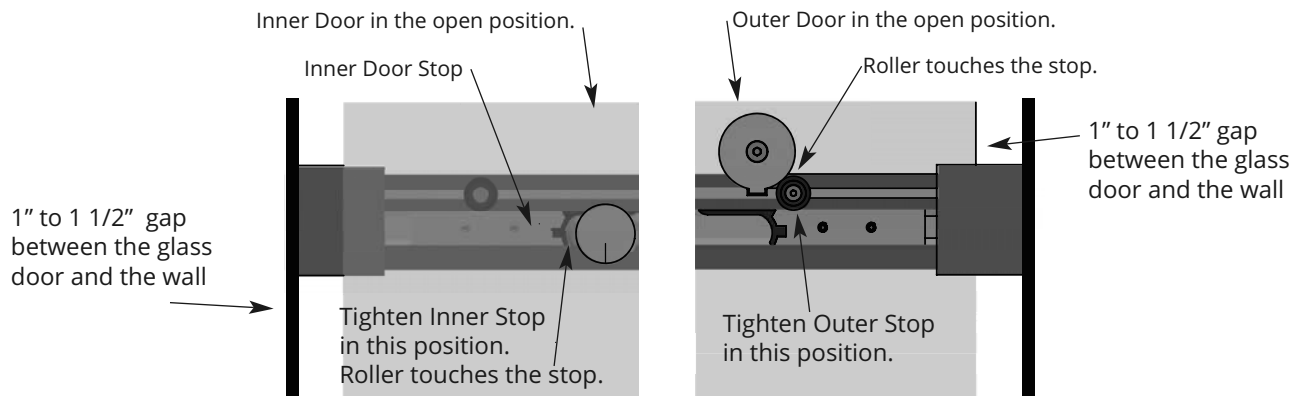
STEP 18 Adjust the Door Stops for closed position:

Working from the inside of the shower, bring both doors to the closed position where the Vinyls are touching the walls on both sides. Move the Inner Stop and Outer Stop into the desired positions where the "A" Vinyls are just slightly compressed. Tighten the screws for the door stops for this closed position.

Detail 18A Shows Doors in closed Position



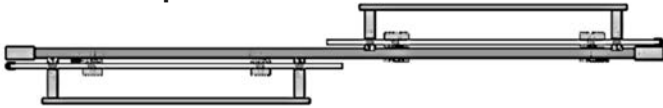
Detail 18B Shows Doors fully open with 1" to 1 1/2" gap to the wall



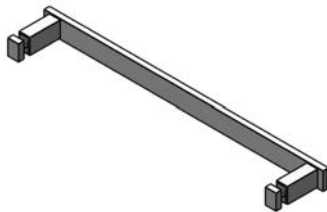
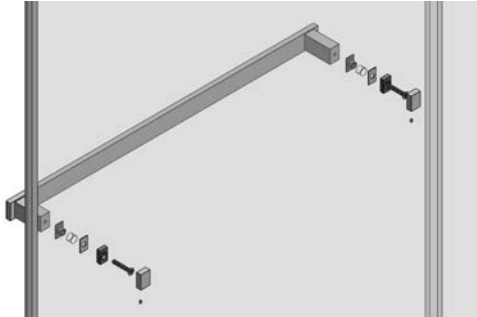
Carefully move the doors to the opposite ends of the header, **leave a 1" to 1 1/2" gap** between this door position and the wall. Tighten the second set of stops at this position. This keeps the doors from hitting the wall when fully open.

STEP 19 Install the Towel Bar Assembly (See Detail 19B) on both the inside and outside of each door as shown in the top view below (Detail 19A).

Detail 19 A Top View



**Detail 19B
Parts assembly**



EQUALIS Series™ Models

Catalog Number

PSS- Polished Stainless Steel
BSS Brushed Stainless Steel
CHA Polished Chrome Anodized

Shower Enclosures

| | Metal Finish. |
|-----------|---------------|
| DS-48T-38 | PSS |
| DS-48T-38 | BSS |
| DS-48T-38 | CHA |
| DS-54T-38 | BSS |
| DS-54T-38 | PSS |
| DS-54T-38 | CHA |
| DS-60T-38 | PSS |
| DS-60T-38 | BSS |
| DS-60T-38 | CHA |

Tub Enclosures

| | Metal Finish. |
|-----------|---------------|
| DT-60T-38 | PSS |
| DT-60T-38 | BSS |
| DT-60T-38 | CHA |
| DT-66T-38 | PSS |
| DT-66T-38 | BSS |
| DT-66T-38 | CHA |

NOTES:

CLEANING INSTRUCTIONS:

Never use scouring powder, pads or sharp instruments on metal work or glass panels. We recommend the use of a squeegee after each shower to eliminate the water spots on the inside of the glass panels. An occasional wiping down on the glass panels and metal parts with a mild detergent, diluted in water, is all that is need to keep you shower/Tub enclosure looking brand new.

Cleaning Recommendations:

Never use abrasive cleaners or cleaners containing ammonia. This may cause chemical damage .

For cleaning, we recommend using ammonia free Sprayway brand glass cleaner, which is available at a variety of retail outlets.

www.spraywayinc.com/content/glass-cleaner



Model Number... _____

Dealer _____

Job Log # _____



GLASSCRAFTERS, INC
 193 Veterans Blvd., Carlstadt, NJ 07072

(201) 525-1117 (F) 1+(888) 688-1362
sales@glasscraftersinc.com