



GLASSCRAFTERS INC.

GLASSCRAFTERS, INC.
193 Vetrans Blvd., Carlstadt, NJ 07072

1+ (888) 683-1362 (F) 1+(201) 525-1117
sales@glasscraftersinc.com

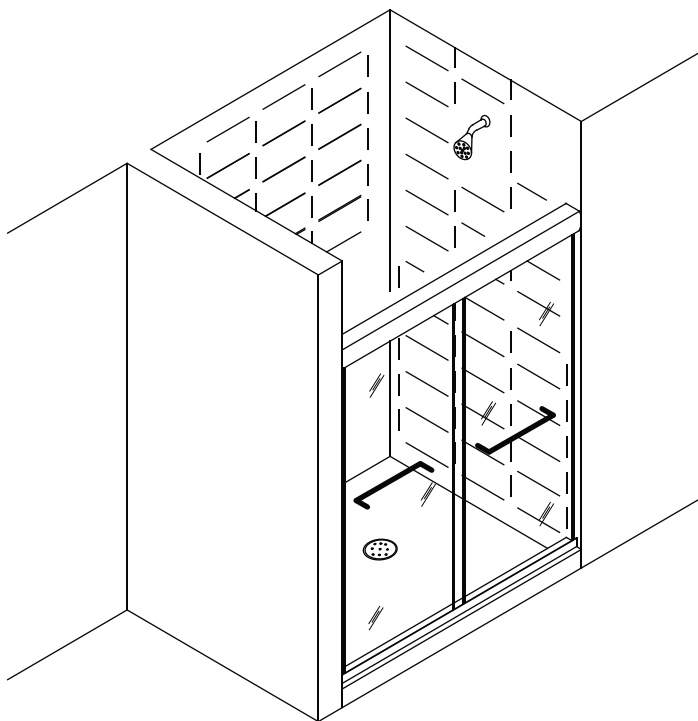
EPIC™ SERIES

Model By-Pass Sliding Doors

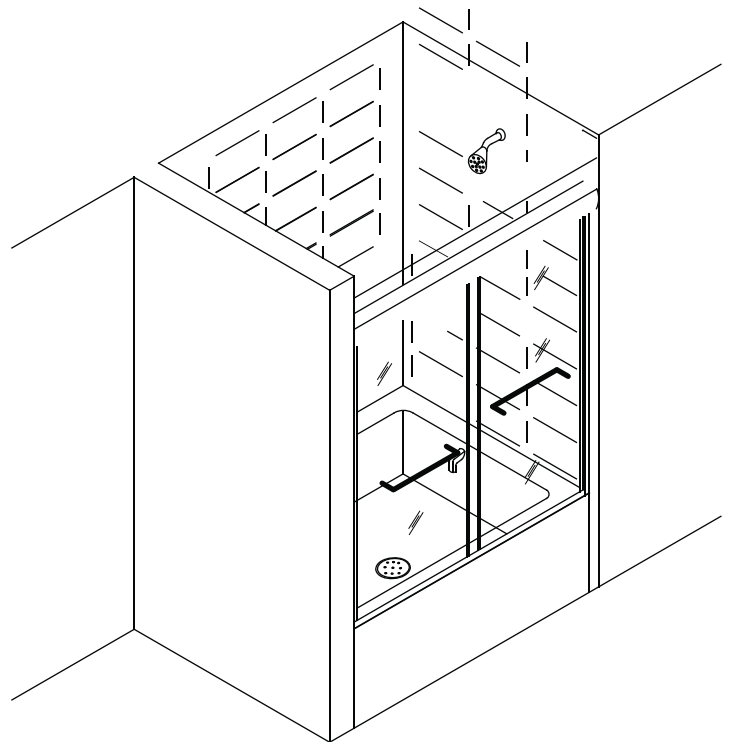
Installation Instructions

Tub or Shower By-Pass Sliding Doors

Models ET-S / ET-T / ES-S / ES-T



Shower Enclosure



Tub Enclosure

IF YOU NEED REPLACEMENT PARTS OR HAVE INSTALLATION QUESTIONS,
PLEASE CALL OUR CUSTOMER SERVICE REPRESENTATIVES.
INSTALLATIONS SHALL BE MADE ACCORDING TO MANUFACTURER'S INSTRUCTIONS AND DRAWINGS.
GLASSCRAFTERS RECOMMENDS THE INSTALLATION TO BE PERFORMED BY A TRAINED INSTALLER.

888-683-1362

For 1/4" GLASS

Item No.	Description	Qty.
#1	Header	1
#2	Base	1
#3	Wall Jamb	2
#4	Glass Door	1
#5	Glass Door	1
#6	Base Vinyl	1
#7	1/4" Jamb Bumper	2
#8	#6 x 1/2" Screw	2
#9	Roller	4
#10	Glass Hanger	2
#11	Wall Anchor	6
#12	Universal side bumper	4
#13	Towel Bar Pack	1 Set
#14	1/4" Center Guide	1
#15	Anti-Lift Safety Screw	4
#16	Anti-Lift Safety Bracket	3
#17	#8 x 1 1/4" Screw	4
#18	1/16" and 1/8" Header Shims	2 of each

FOR 3/8" GLASS

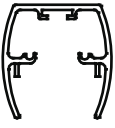
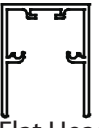






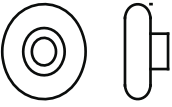

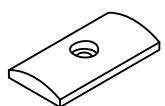

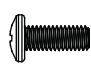
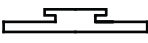
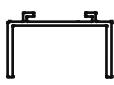
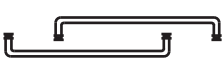

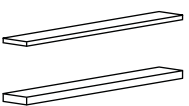
Item No.	Description	Qty.
#1	Header	1
#2	Base	1
#3	Wall Jamb	2
#4	Glass Door	1
#5	Glass Door	1
#6	Base Vinyl	1
#7	3/8" Jamb Bumper	2
#8	#6 x 1/2" Screw	2
#9	Roller	8
#10	Glass Hanger	2
#11	Wall Anchor	6
#12	Universal side bumper	4
#13	Towel Bar Pack	1 Set
#14	3/8" Center Guide	1
#15	Anti-Lift Safety Screw	4
#16	Anti-Lift Safety Bracket	3
#17	#8 x 1 1/4" Screw	6
#18	1/16" and 1/8" Header Shims	2 of each

CAUTION: Risk of injury or product damage. Do not attempt to cut tempered glass.

IMPORTANT! Children should be supervised at all times while in Tub/Shower Enclosure.

IMPORTANT! Never use Door Handle to support yourself. This is for towels or wash cloths only.

PLEASE STOP THE INSTALLATION AND CONFIRM WITH FACTORY IF THE ACTUAL NUMBER OR TYPE OF PARTS IS DIFFERENT.

 #1- Round Header	 #1- Flat Header (optional)	 #2- Base	 #3- Wall Jamb	 #6- Base Vinyl	 #7- Jamb Bumper
 #8- 6x3/8" Screw	 #8- 6x1/2" Screw	 #9- Roller	 #11- Wall Anchor	 #12 - Universal side bumper	 #14- Center Guide
 #15- 10-32 x 1/2" Machine Screw	 # 16 Anti-Lift Safety Bracket	 Wall and Base Filler (if applicable)	 Set Of Towel Bars	 #17 - 1 1/4" Screw	 #18 -Header Shims

Tools Required - For installation of Your Shower Enclosure

- | | | | |
|------------------------------------|----------------------------|---|-----------------------------|
| A - Safety glasses. | E - Miter Box or Square. | I - Drill bit, 1/8" | J - Power screwdriver |
| B - Measuring tape. | F - Level. | (for installation on a fiberglass enclosures) | K - #2 phillips screwdriver |
| C - Pencil. | G - Electric Drill. | Drill bit, 3/16" masonry | L - Caulking gun |
| D - Chop saw (with carbide teeth). | H- Center Punch (optional) | (for installation on ceramic tiles or marble) | |

When ordering replacement parts, please specify the Model Number, Item Number & Part Description.

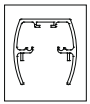
Save these Installation Instructions For The Future Reference.

Write your Dealer information down on Notes Section.

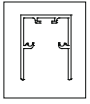
Ask your Dealer for JOB LOG NUMBER (Lxxxxxx-xxx) Referencing to your shower enclosure.

Installation shows 3/8" glass by-pass shower enclosure with two standard towel bars. Other units may vary.

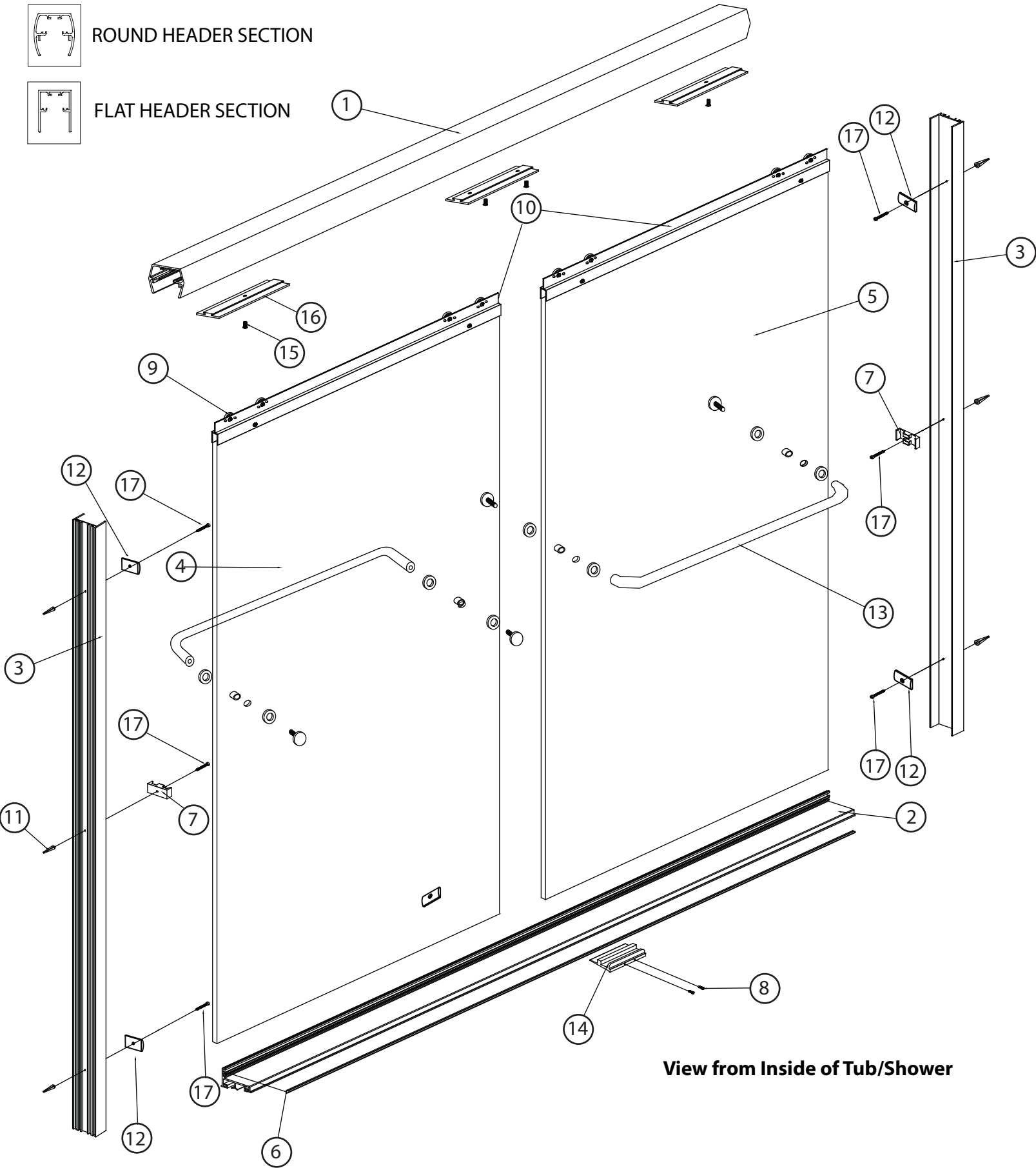
Installation shows Round Header. Flat header is Optional.



ROUND HEADER SECTION



FLAT HEADER SECTION



View from Inside of Tub/Shower

Installation Instructions for GlassCrafters Epic By-Pass Shower Enclosure

IMPORTANT: Read all instructions carefully and become familiar with all parts before installation.

Unpacking: Care should be taken unpacking your Shower Enclosure. Place the Glass Panels in an upright, Safe location to avoid damage. Never place glass directly on hard surface.

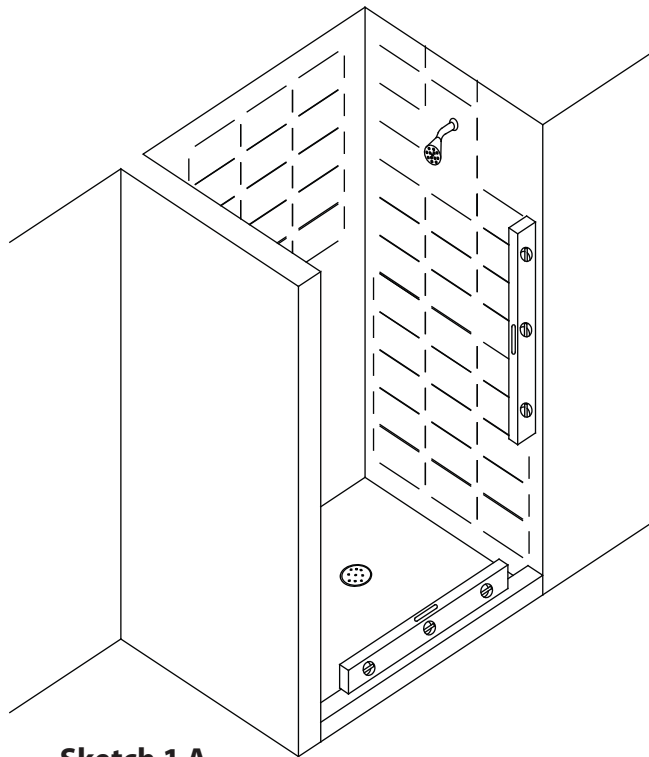
A Box cutter should not be used to open box.

Please remove all staples from the box prior to unpacking metal and glass.

Cleaning: Never use scouring powder, pads or sharp instruments on metal work or glass panels. We recommend the use of a squeegee after each shower to eliminate water spots on the inside of the glass panels.

An occasional wiping down of the glass panels and anodized aluminum parts with a mild detergent, diluted in water, is all that is needed to keep your Shower /Tub Enclosure looking brand new.

1



Sketch 1 A

IMPORTANT:

Determine if your Tub/Shower Stall Enclosure ledge is Level and Wall are plumb as shown in **Sketch 1 A**.

If they are out of Level/Plumb, by more than 1/4", **STOP!** and call Customer Service. The Phone number is

1-888-683-1362

A Base filler and /or Wall Jamb Filler are recommended for obtaining proper adjustment;

both are available through Customer Service.

If they are Level/Plumb, or out of Level/Plumb for less than 1/4" proceed with installation.

2

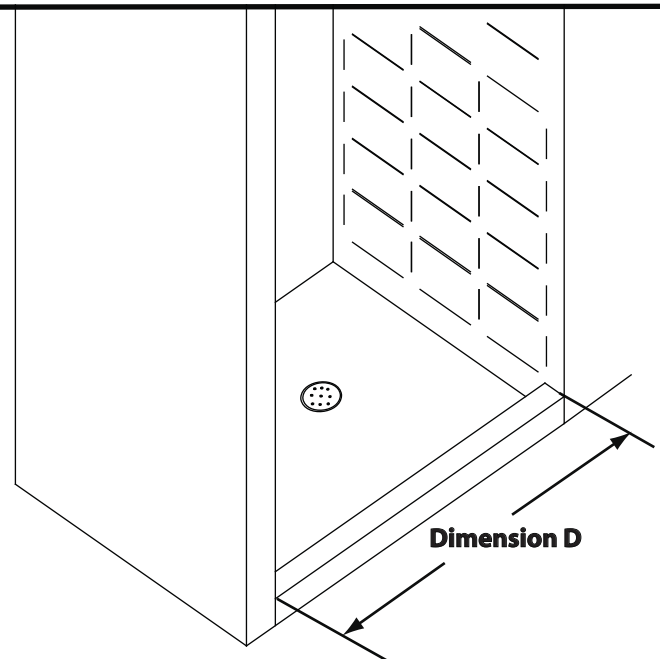
Threshold (1) is left oversized and needs to be cut to size. See **Sketch 2 A** for Dimension "D".

Measure the finished wall to wall distance for Dimension "D" in the center of the Tub/Shower Enclosure Sill.

If a steel tape is used, be sure to add the width of the case to the measurement.

Subtract 3/8" from Dimension "D", and cut Base #2 to size

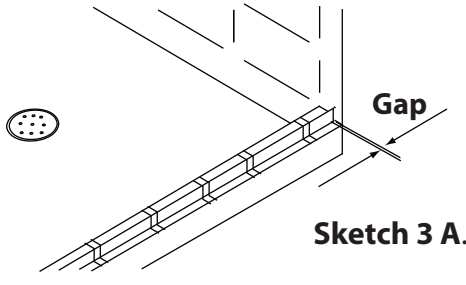
Please Note: to obtain the best results, use a carbide tooth metal cutting chop saw or metal hack saw.



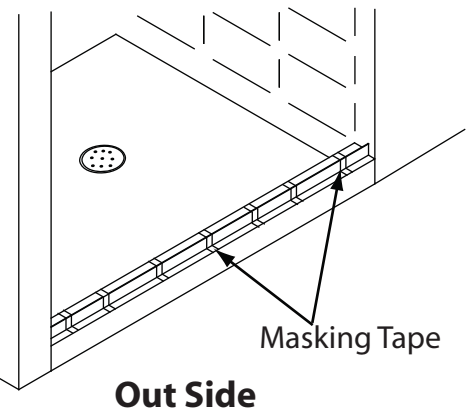
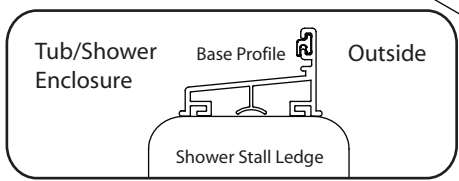
Sketch 2 A

3

Locate the Base in the center of the Tub/Shower Enclosure Ledge. Maintain a uniform gap at each end as shown in **Sketch 3 A**. Using Masking Tape, Temporarily secure the Base to the Ledge and mark with a pencil.



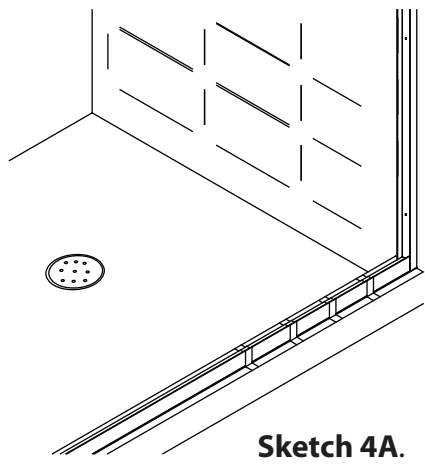
Sketch 3 A.



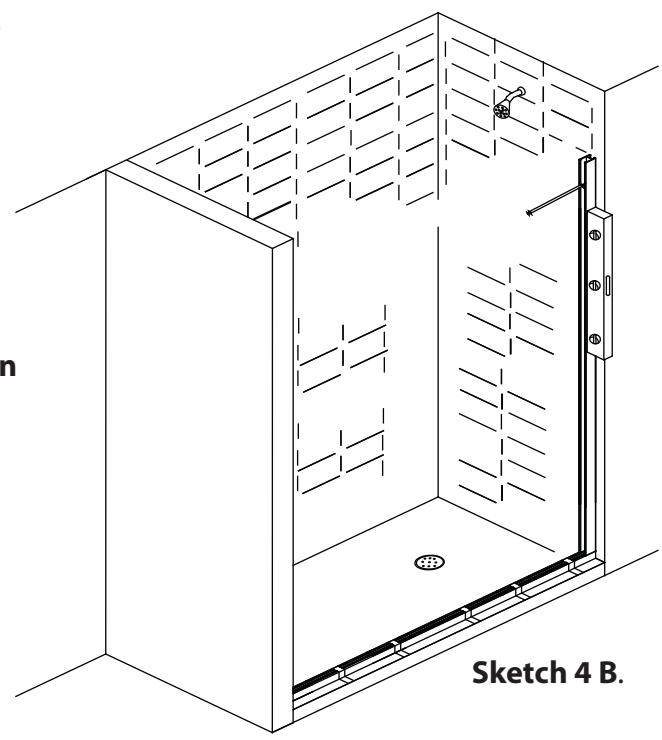
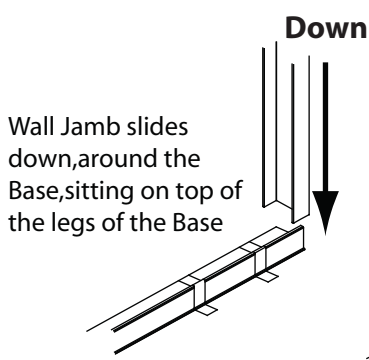
Out Side

4

Carefully position the Wall Jamb by sliding it down, around the Base and "sitting" on top of the legs, as shown in **SKETCH 4A**. Be careful not to move the temporary position of the Base. Use a level to plumb the Wall Jamb, as shown in **SKETCH 4B**. Mark the three mounting hole locations of the Wall Jamb. Repeat this procedure with the Wall Jamb, on the opposite Wall. Remove Wall Jamb and Base. Drill marked mounting holes with 3/16" masonry drill bit.



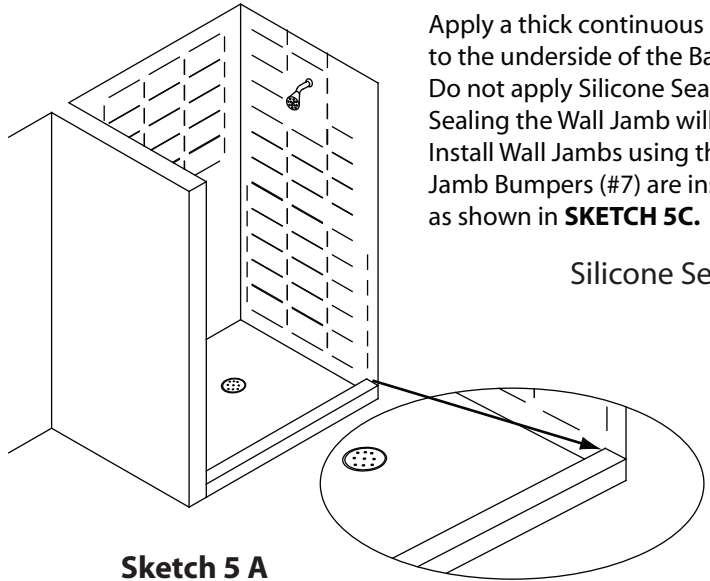
Sketch 4A.



Sketch 4 B.

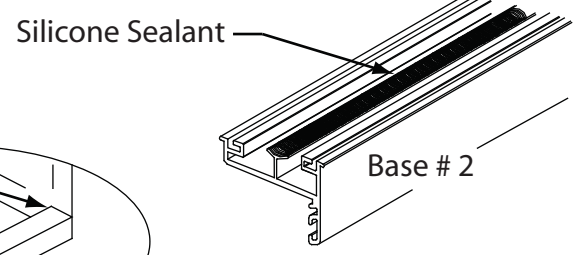
5

After drilling wall jamb holes, insert wall anchors in each hole. Clean the Tub/Shower Enclosure ledge and the Wall Jamb areas thoroughly. This will assure proper adhesion of Silicone Sealant Before the Base is installed, apply a bead of Silicone Sealant where Shower/Tub base meets wall as shown in **SKETCH 5A**

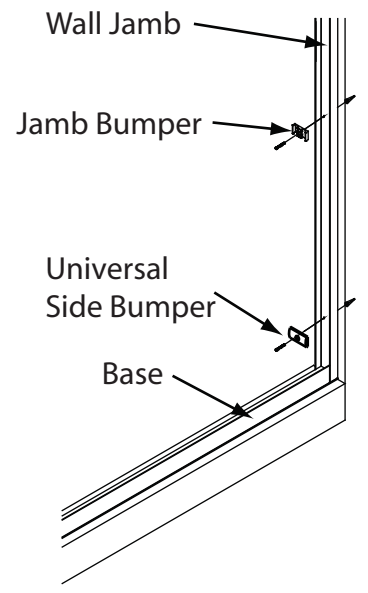


Sketch 5 A

Apply a thick continuous bead of Silicone Sealant to the underside of the Base, as shown in **SKETCH 5B**. Do not apply Silicone Sealant to the back side of the Wall Jamb. Sealing the Wall Jamb will be completed in the final step. Install Wall Jamb using the screws #17 and Wall Anchors #11. Jamb Bumpers (#7) are installed only in center Screw Locations, as shown in **SKETCH 5C**.



Sketch 5 B



Sketch 5 C

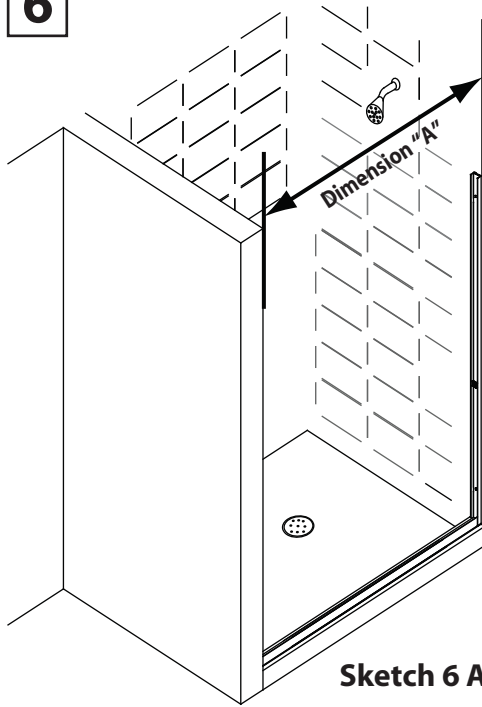
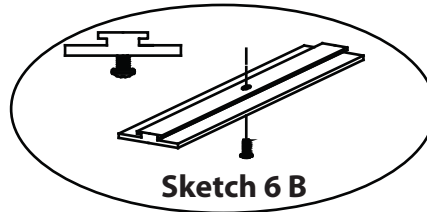
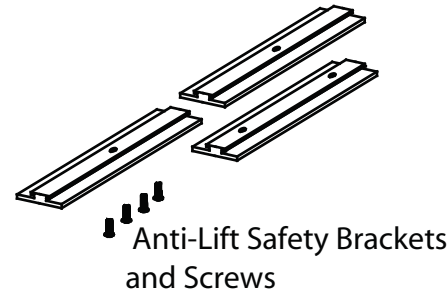
6

Header is left oversized and needs to be cut to size. See **Sketch 6 A** for Dimension "A".

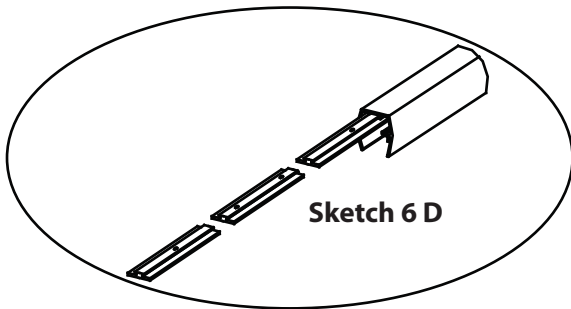
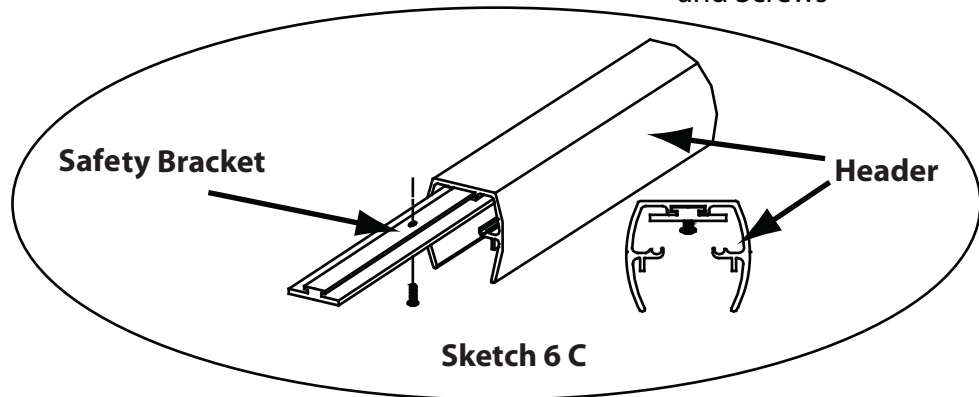
Measure the finished wall to wall distance for Dimension "A" on top of wall jambs. If a steel tape is used, be sure to add the width of the case to the measurement. Subtract 1/16" from Dimension "A", and cut Header#1 to size.

Please Note: to obtain the best results, use a carbide tooth metal cutting chop saw or metal hack saw.

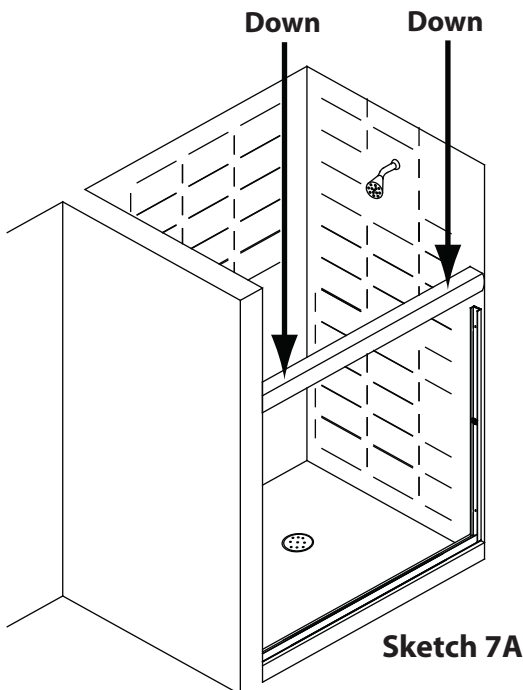
Open Anti-Lift Safety Brackets Package. Insert Screws provided into safety brackets, as shown in **Sketch 6B**. Insert Safety Brackets into Header as shown in **Sketch 6C**. Make sure to insert Safety Bracket with 2 holes as shown in **Sketch 6D**.

**Sketch 6 A****Sketch 6 B**

Anti-Lift Safety Brackets and Screws

**Sketch 6 D****Sketch 6 C****7**

Slide the Header down on top of the Wall Jambs as shown in **Sketch 7 A**

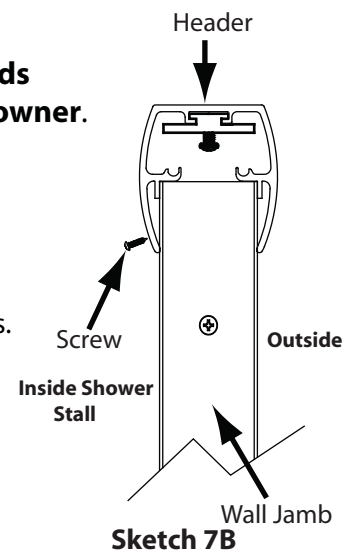
**Sketch 7 A**

OPTIONAL STEP Apply only if necessary

In some cases, such as uneven walls, sever "out of level" conditions, "rocky" tiles etc. it is recommended to secure the header with screws. Standing inside of the Tub/Shower, insert Screws through Header and into Wall Jambs as shown on **Sketch 7B**.

This step is optional and depends on judgment of installer/homeowner.

When unit is complete the header is being held on place by gravity, weight of the glass and strips of silicone between header and walls.

**Sketch 7 B**

Glass hangers are installed on to glass panels at factory.

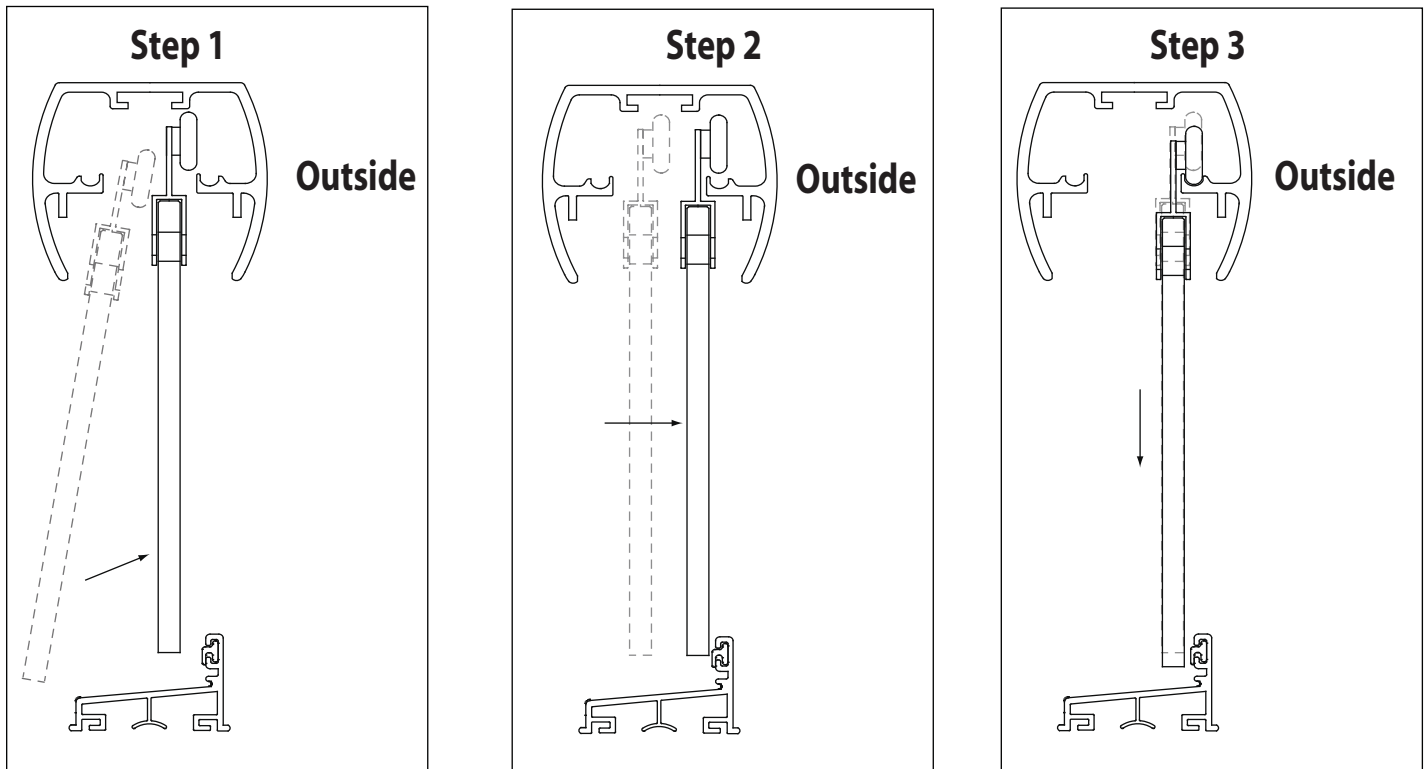
8 Warning: The Glass Panels are heavy and awkward. It is recommended that two people lift and hang the glass panels.

Do not remove the corner protectors from glass.

Make sure you do not allow the glass edges or corners to contact base or wall jambs.

Glass may chip or explode if this occurs.

DO NOT LIFT GLASS PANELS BY THE TOWEL BARS/PANEL PULLS.



Slide Anti-Left Safety Brackets to one side before attempting to install Glass Panels. Panels will not fit into Header when Anti-Lift Safety Brackets are in the way.

Installing the Outer Glass Panel.

Standing inside of the Tub/Shower, Position the Glass Panel on front of Tub/Shower Enclosure with the Rollers facing OUTWARD.

Holding the Glass Panel by the sides, lift it up into the underside of the header, between roller ledges.

Working at a slight angle will make it little easier. (**Step 1**)

With the Glass Panel in vertical position move it toward the outer Track Ledge (**Step 2**) making sure that rollers are above the ledge. Bring the glass down; allow the rollers to sit inside the roller rail (**Step 3**).

Slowly release, allowing the glass panel to hang freely from the header.

At this point if released, glass will not hang vertically, but under an angle.

While Holding the Glass vertically Slide the Glass Panel back-and-forth in the track.

Make sure that the rolling is smooth and easy.

9

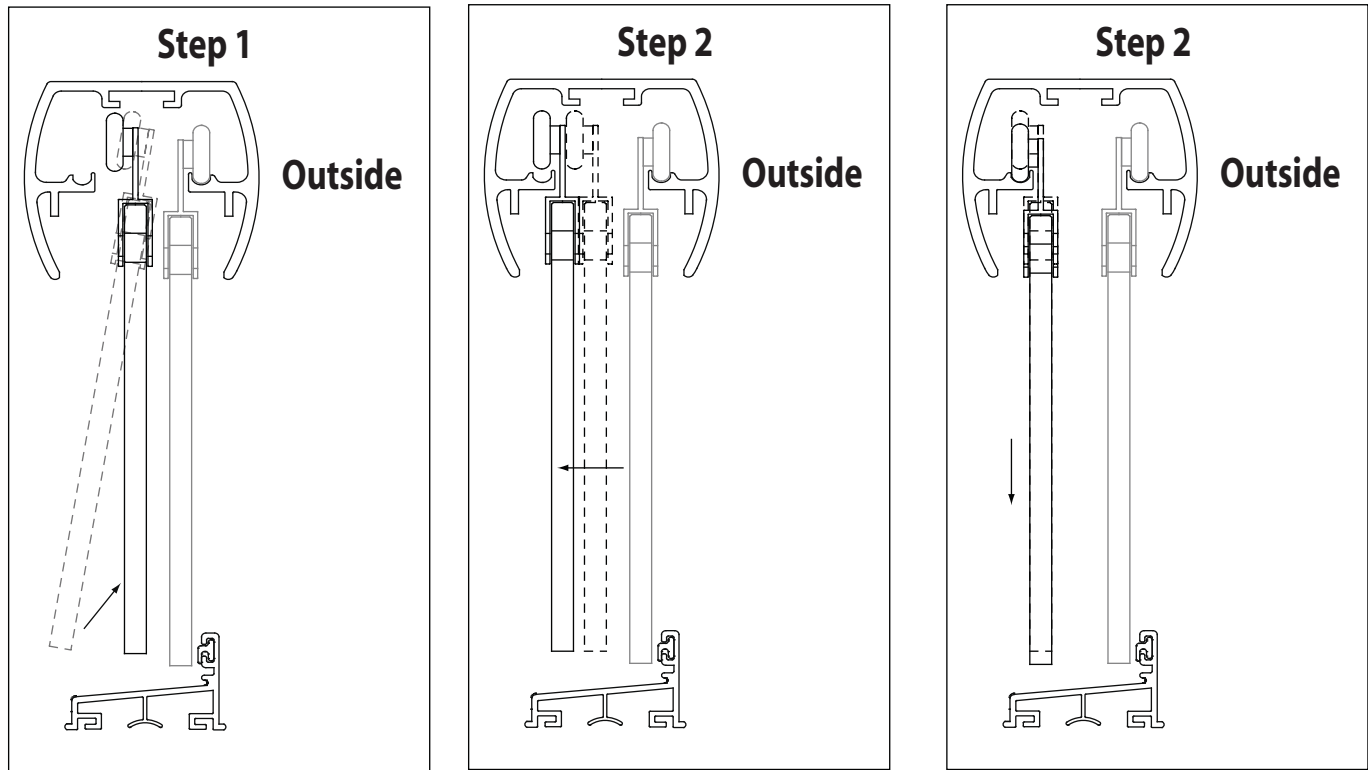
Warning: Glass hangers are installed on to glass panels at factory. The Glass Panels are heavy and awkward. It is recommended that two people lift and hang the glass panels.

Do not remove the corner protectors from glass.

Make sure you do not allow the glass edges or corners to contact base or wall jambs.

Glass may chip or explode if this occurs.

DO NOT LIFT GLASS PANELS BY THE TOWEL BARS/PANEL PULLS.



Slide Anti-Left Safety Brackets to one side before attempting to install Glass Panels. Panels will not fit into Header with Anti-Lift Safety Brackets in the way.

Installing the Outer Glass Panel.

Standing inside of the Tub/Shower, Position the Glass Panel on front of Tub/Shower Enclosure with the Rollers facing OUTWARD.

Holding the Glass Panel by the sides, lift it up into the underside of the header, between roller ledges.

Working at a slight angle will make it little easier. (**Step 1**)

With the Glass Panel in vertical position move it toward the outer Track Ledge (**Step 2**) making sure that rollers are above the ledge. Bring the glass down; allow the rollers to sit inside the roller rail (**Step 3**).

Slowly release, allowing the glass panel to hang freely from the header.

At this point if released, glass will not hang vertically, but under an angle.

While Holding the Glass vertically Slide the Glass Panel back-and-forth in the track.

Make sure that the rolling is smooth and easy.

The Inner Glass Panel must be located on shower head side.

10

There should be 1/4-5/8 space between bottom edge of the glass and Base (Sketch 10A).

That space is necessary for Center Guide.

If it is more or less than mentioned, the rollers must be adjusted up/down.

Readjusting Rollers on the Glass Hanger.

NOTE: this step is only performed if necessary.

Put the Glass Protectors back on the Glass, Place a Blanket on the Floor to Protect the Glass

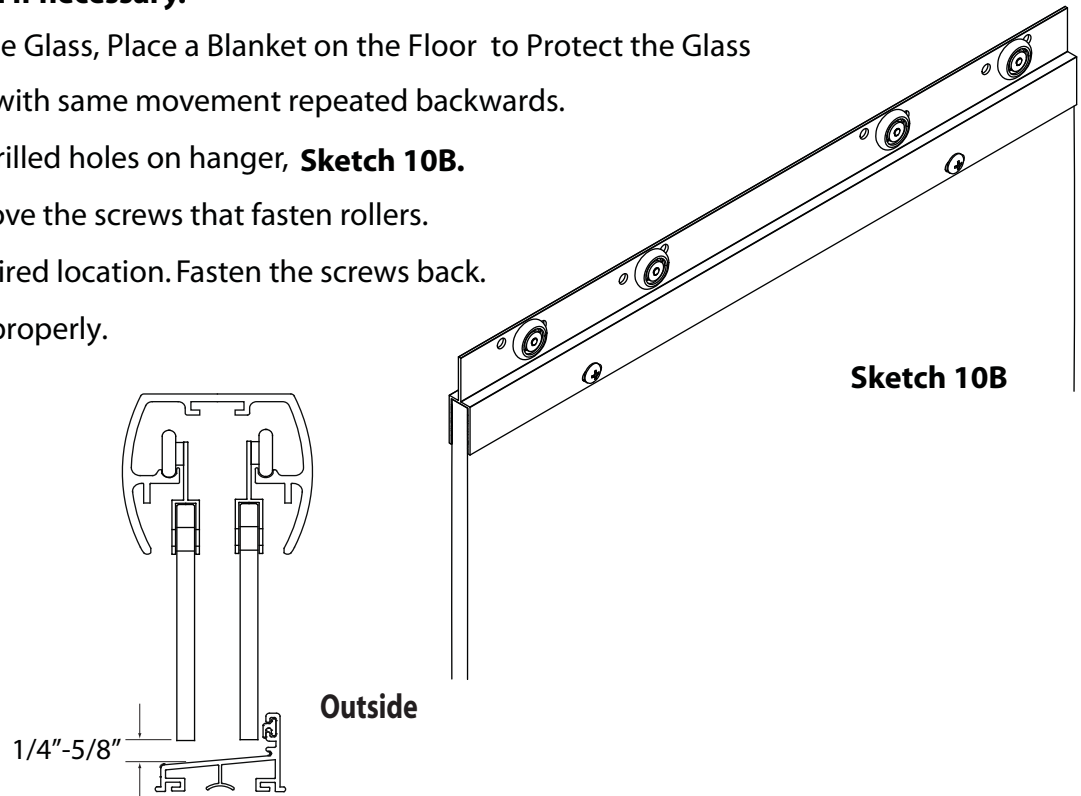
Remove Glass Panels from Header with same movement repeated backwards.

Please note there are a set of pre-drilled holes on hanger, **Sketch 10B**.

Using screwdriver, loosen and remove the screws that fasten rollers.

Move the rollers up or down to desired location. Fasten the screws back.

Make sure that screws are tighten properly.

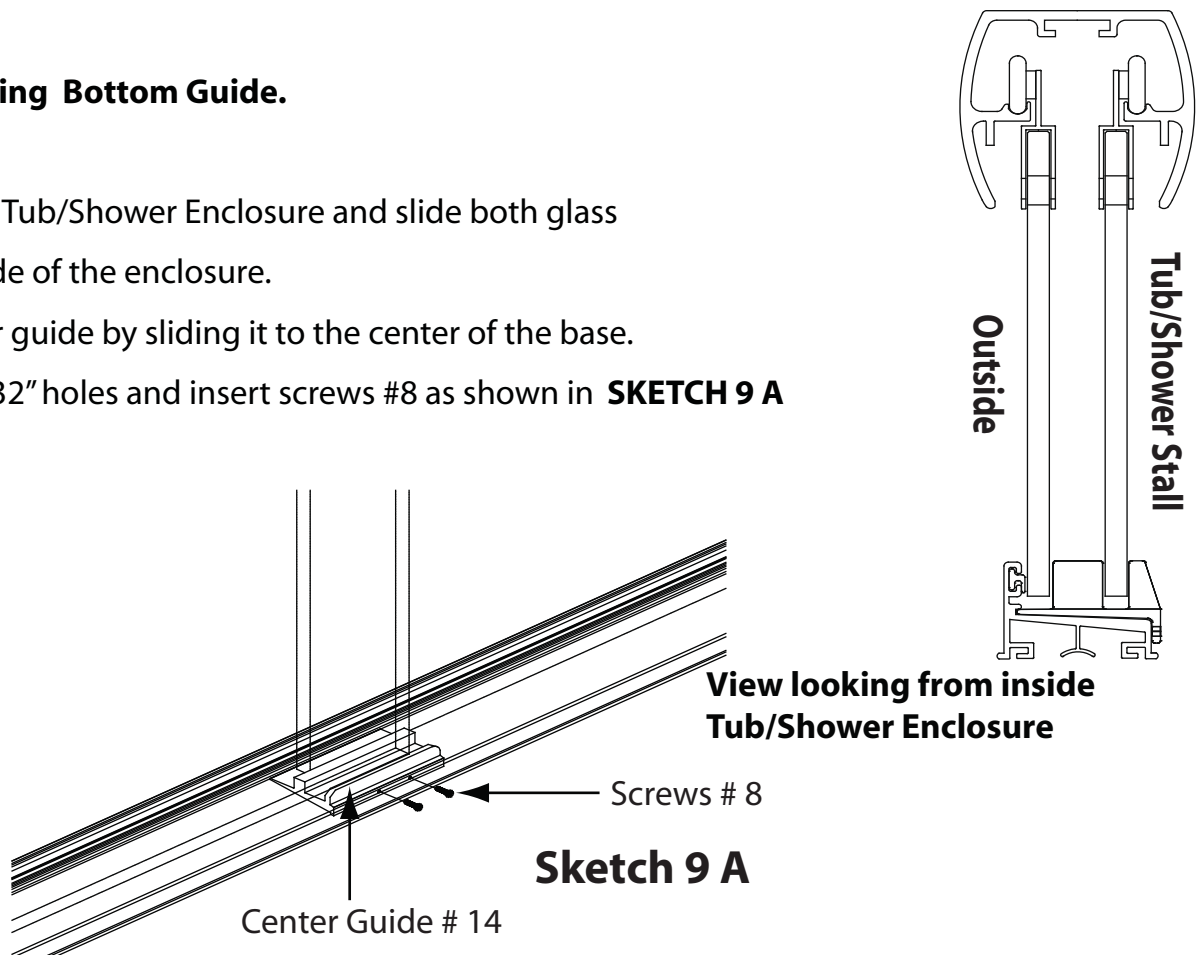
**11**

Installing Bottom Guide.

Stand inside the Tub/Shower Enclosure and slide both glass panels to one side of the enclosure.

Install the center guide by sliding it to the center of the base.

Carefully drill 1/32\" holes and insert screws #8 as shown in **SKETCH 9 A**



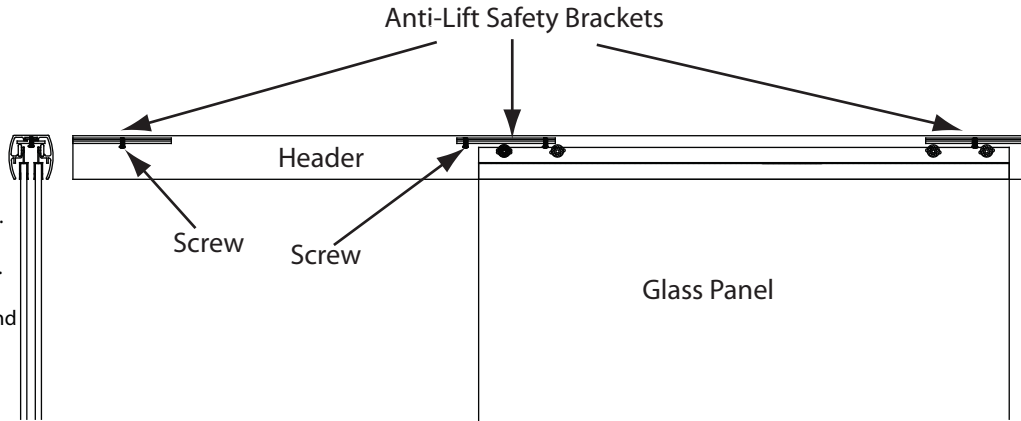
12

Placing and securing Anti-Lift Safety Brackets

Slide Safety Brackets into position and secure as shown in step 1-2
Some lines and Extrusions are not show for clarity

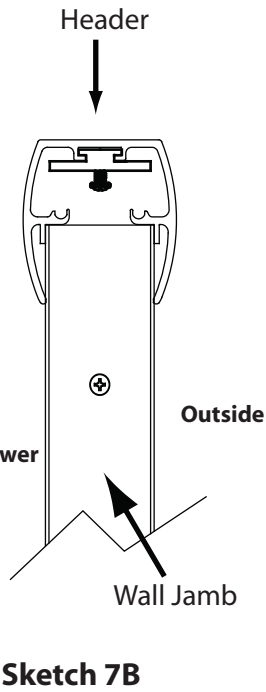
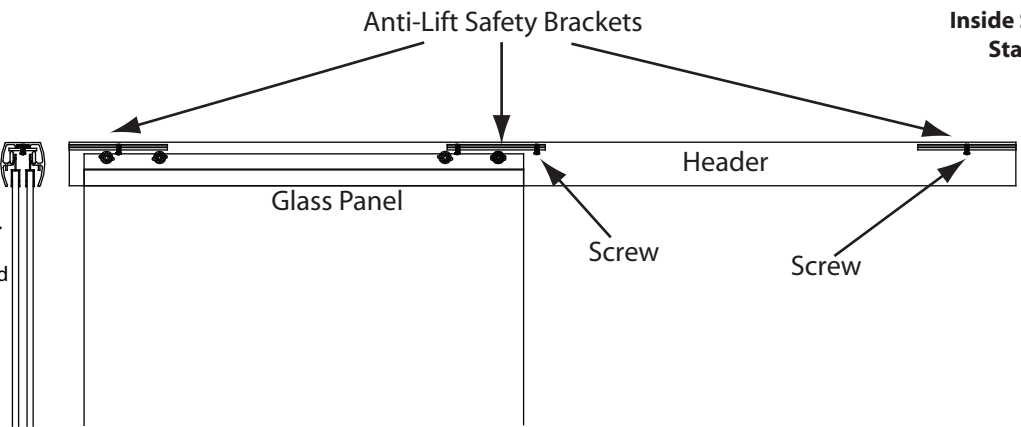
Step 1

Slide both Glass Panels to right .
Secure right Safety Bracket and
Center Safety Bracket as shown.
Slightly tighten the screws on
the Safety Brackets to wedge and
immobilize in the Header.



Step 2

Slide both Glass Panels to left.
Secure right Safety Bracket and
Center Safety Bracket as shown.
Slightly tighten the screws on
the Safety Bracket to wedge and
immobilize in the Header.



Clean the metal perimeter free from dust and construction debris.

13

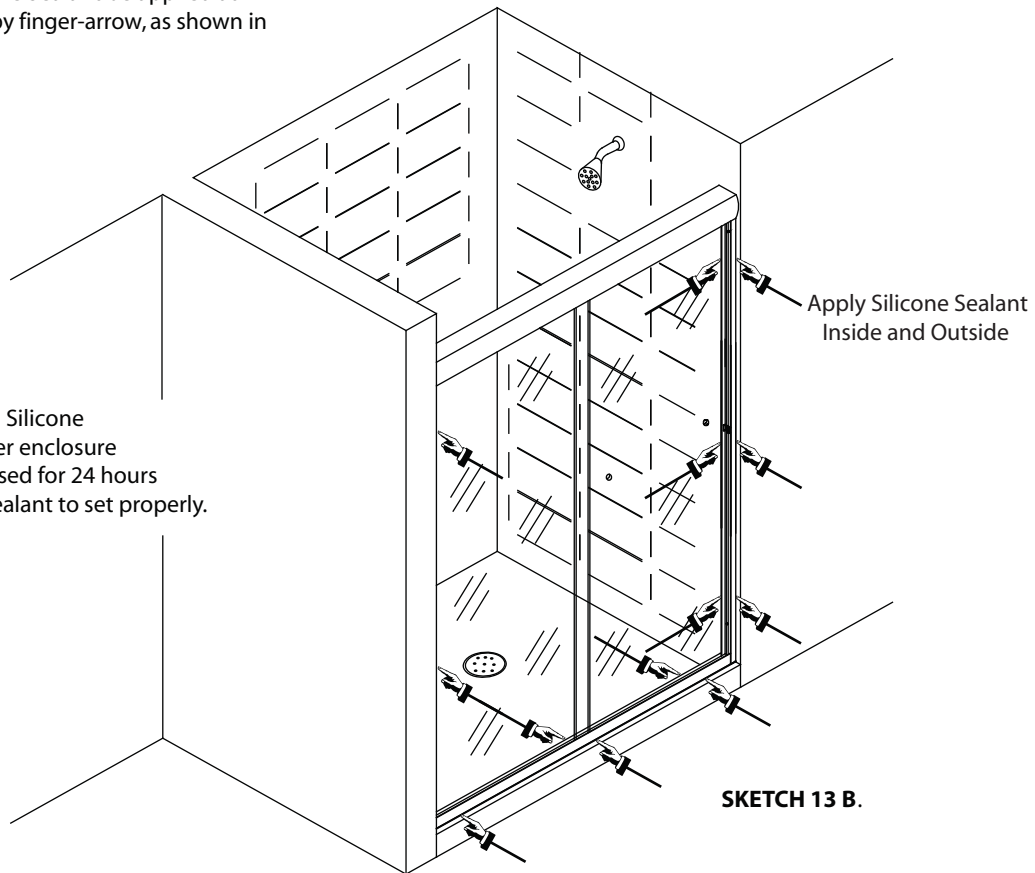
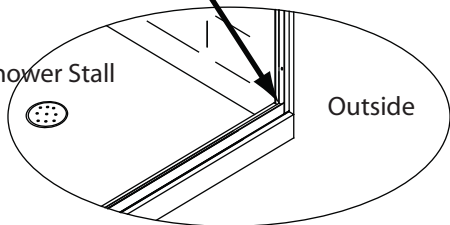
It is essential that Silicone Sealant be applied at
all locations indicated by finger-arrow, as shown in
SKETCH 13 .

Please note :

After applying Silicone
Sealant, shower enclosure
must not be used for 24 hours
to allow the sealant to set properly.

Apply Silicone Sealant both ends

Inside Shower Stall Outside



14

A number of reasons such as: tub/sill out of level, bowed walls, un-even tiles and others, may cause the glass panels to scrape against Center Guide (#14) and not slide freely, as intended.

By shimming and leveling the header up, that problem can be easily fixed. **Sketch 14 A**

By inserting Header Shim (#18) between the top of Wall Jamb (#3) and Header (#1), the unit's height may be increased providing necessary clearance for glass.

Step #1. Slide both glass doors to one side. Determine how much space you need between glass and Center Guide for proper operation. (Header shims are supplied in two thicknesses 1/16" and 1/8". If combined, it will allow the rise of the header by 3/16" in total.) Remove the Center guide.

Step #2. Move both panels of glass to one side (left or right).

Step #3. Loosen-up the screws on the 2 anti-lift safety brackets (#16) and slide brackets to the same side.

Step #4. Set the corner protectors back on bottom corners of the glass doors and secure them.

Prepare a safe place to temporary store the glass doors. Make sure that glass will not sit on bare floor and/or will not lean against bare walls or each other.

Use a few layers of cardboard to cushion the glass. Any other material such as work-blankets, hard foam boards may be used. One at the time, slide glass doors to opposite side from anti-lift safety brackets and remove them from the header. Secure the glass doors at the prepared place.

Step #5. Lift one side of the header and set the clear shim in the space in between top of the wall jamb and horizontal ledge of header. **Sketch 14 B.** Set the header back in place. Repeat the step for other side of the header as well. Make sure that header sits firmly and securely on Header Shim.

Step #6. Follow directions 8 to 12 to set glass doors back in header, install bottom guide and properly position Anti-lift Safety Brackets.

